

10/21/96
1:00
10/22/96 1:00
10/23/96 am.

Tap ID-04-351908

PERMIT

SEWAGE DISPOSAL SYSTEM

DEPARTMENT OF HEALTH AND MENTAL HYGIENE

INDEXED

P 5731213

A 42479

DISTRICT 4th

DATE 10-8-96

DATE SYSTEM APPROVED 10/23/96

INSPECTOR DJS

HOWARD COUNTY HEALTH DEPARTMENT

BUREAU OF ENVIRONMENTAL HEALTH

461-9933 313-2640

Foggle's Septic Clean, Inc. IS PERMITTED TO INSTALL X ALTER

ADDRESS 580 Orbecht Road, Sykesville, MD 21784 PHONE 795-5674

SUBDIVISION Country Springs LOT 27 ROAD 15006 Kenwood Court

PROPERTY OWNER Harry and Barbara Speaks

ADDRESS _____

SEPTIC TANK CAPACITY 1250 GALLONS

NUMBER OF BEDROOMS 4

180 SQUARE FEET PER BEDROOM

LINEAR FEET OF TRENCH REQUIRED 180

GRAVITY BASEMENT SERVICE TO SPECIFIED
LOCATION MAY BE DIFFULT.
OR TO START FIRST TRENCH UP TO 20' LOWER
ON LOT IF 1500 GAL COMPARTMENTED SEPTIC
TANK IS UTILIZED. 5/9/96 (CW)

TRENCHES - Trench to be 2 feet wide. Inlet 4 feet below original grade. Bottom maximum depth 8 feet below original grade. Effective area begins at 4 feet below original grade. 4 feet of stone below distribution pipe.

LOCATION - Place the distribution box 288 feet up the left lot line (386.13') and 140 feet off this same lot line as seen when facing the lot from Kenwood Court. Run trenches on contour towards the left-rear of the lot.

NOTES - No trench to exceed 100 feet in length. Provide 6" - 8" diameter cleanout and cap to grade or above on septic tank.

OK DJS 12/27/95

PLANS APPROVED BY Donna K. Soe/Ronald Pinkley/Glen Savage DATE 4/12/95, 5/9/95, 12/22/95

COVER NO WORK UNTIL INSPECTED AND APPROVED

NEITHER THE HOWARD COUNTY COUNCIL NOR THE HEALTH DEPARTMENT IS RESPONSIBLE FOR THE SUCCESSFUL OPERATION OF ANY SYSTEM

NOTE: CLEANOUT REQUIRED EVERY 70 FEET OF SEWER LINE AND/OR AT 90° SWEEPS IN LINES FROM HOUSE TO DRAIN FIELDS, 90° ELBOWS NOT ACCEPTABLE.

NOTE: ALL PARTS OF SEPTIC SYSTEMS (I.E. TANK, DISTRIBUTION BOX TRENCHES) TO BE 100 FEET FROM WELL (UNLESS OTHERWISE SPECIFICALLY AUTHORIZED)

NOTE: IF DEEP TRENCH(ES) ARE USED CALL FOR INSPECTION BEFORE AND AFTER PLACING GRAVEL IN TRENCH(ES)

NOTE: NO DRY WELL SHALL EXCEED 15 FOOT IN DIAMETER NO ABSORPTION TRENCH TO EXCEED 100 FEET IN LENGTH

NOTE: ALL PIPE FROM HOUSE TO SEPTIC TANK MUST BE CAST IRON OR SCHEDULE 35/40 PVC OR ABS

PERMIT VOID AFTER TWO YEARS

NOTE: INSTALL STAND PIPE ON SEPTIC TANK AND DRY WELL STAND PIPES MUST BE 6 INCHES IN DIAMETER CAST IRON, CONCRETE OR TERRA COTTA OR PVA OR ABS ACCEPTED. IF TOP OF SEPTIC TANK IS DEEPER THAN 3 FEET. MANHOLE TO GRADE REQUIRED.

NOTE: DISTRIBUTION BOXES MUST HAVE BAFFLES

***INSTALLER IS RESPONSIBLE FOR OBTAINING FINAL APPROVAL ON THIS PERMIT**

A 42479

APPLICATION

PERCOLATION TESTING

A 42479

P _____

HOWARD COUNTY HEALTH DEPARTMENT
BUREAU OF ENVIRONMENTAL HEALTH
P.O. BOX 476 ELLICOTT CITY, MARYLAND 21043
TELEPHONE: 461-9933

DISTRICT 4

DATE July 5, 1988

TO: THE COUNTY HEALTH OFFICER
ELLICOTT CITY, MARYLAND

I, HEREBY, APPLY FOR THE NECESSARY TEST IN ORDER TO CONSTRUCT (OR RECONSTRUCT) A SEWAGE DISPOSAL SYSTEM.

PROPERTY OWNER Frall Developers, Inc.

ADDRESS P. O. Box 659 Mount Airy, MD 21771 PHONE (301) 795-1866

ENGINEER OR CONTACT PERSON
PROSPECTIVE BUYER VANMAR ASSOCIATES INC. / Mike VanSant

ADDRESS 310 South Main Street Mount Airy, MD 21771 PHONE (301) 829-2890

PROPERTY LOCATION:

SUBDIVISION RIPPEON PROPERTY LOT NO. 27
26

ROAD AND DESCRIPTION Bushy Park Road

TAX MAP 14 PARCEL # 12

SIZE OF LOT 3.0ac ± TYPE BLDG. SFD - 4 Brms
(SINGLE FAMILY DWELLING OR COMMERCIAL)

~~BLDG PERMIT SIGNED~~
~~AND RETURNED~~ 12-22-95
Serial 63032

THE SYSTEM INSTALLED UNDER THIS APPLICATION IS ACCEPTABLE ONLY UNTIL PUBLIC FACILITIES BECOME AVAILABLE. I FULLY UNDERSTAND THE FEE CONNECTED WITH THE FILING OF THIS PERC TEST APPLICATION IS NON-REFUNDABLE UNDER ANY CIRCUMSTANCES. I ALSO AGREE TO COMPLY WITH ALL M.O.S.H.A. REQUIREMENTS IN TESTING THIS LOT.

Quanne Penning, Agent
(SIGNATURE OF APPLICANT)

APPROVED BY _____ FOR _____ DATE _____

REJECTED BY _____ FOR _____ DATE _____

HOLD PENDING FURTHER TESTS _____ DATE _____

REASONS FOR REJECTION OR HOLDING 11-16-88 Per SATISFACTORY - Hold for PERC. See

HD-216

THIS IS NOT A PERMIT

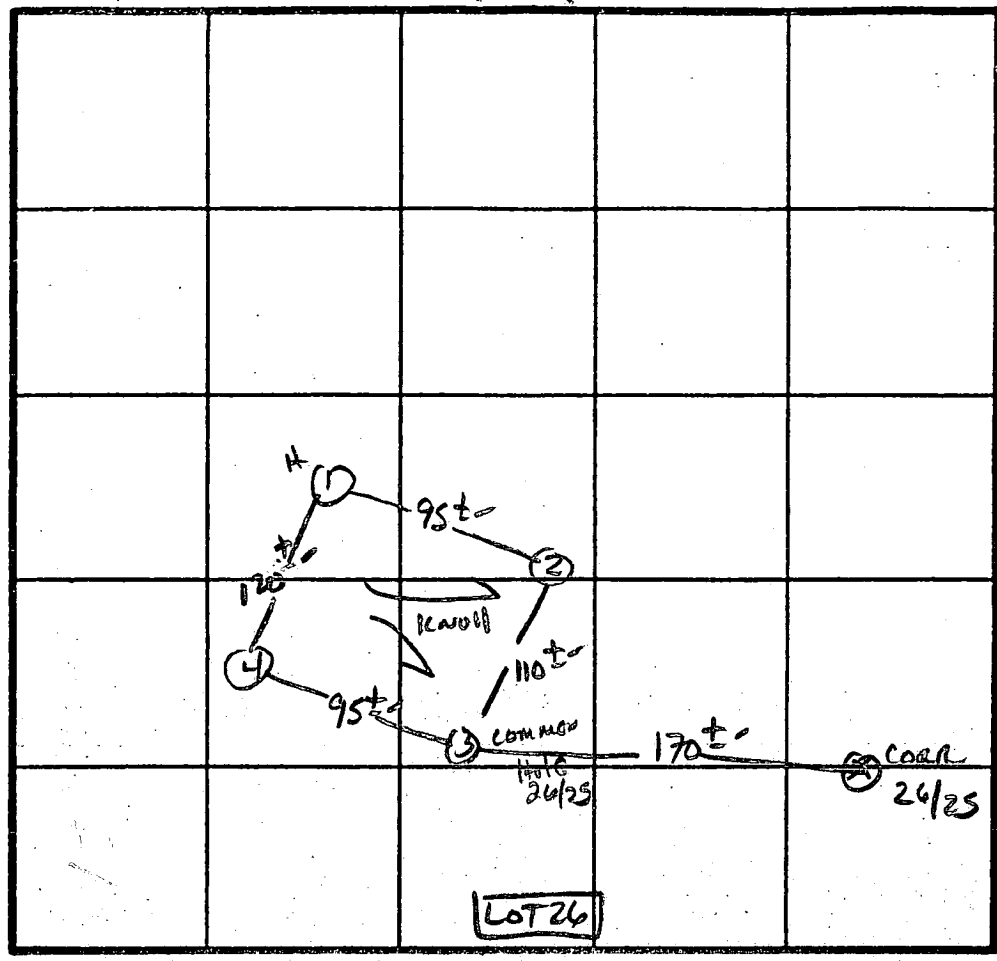
SOIL PROFILE

0
5"
4-
4.5"
12.5"

AP

STRAWS
yellow BR.
Silty clay
LOAM
10-15%
Frags
Some
QUARTZITE

yellow
BR Silty
SAND
LOAM
10-20%
Frags



Perce 4 min
180 #/BR
Inlet 4"
Bottom 8"

INDICATE NORTH - NAME ADJOINING ROADWAY AS BASE LINE.

BUSBY PARK Rd.

DATE	TEST NO.	DEPTH	PRE-WET		TEST - 1' DROP		TIME
			START	STOP	START	STOP	
11/6/98	1S	3.5"	11:49	11:51	11:51	11:54	3 MIN
	1M	8.0"	11:49	11:51	11:51	11:53	2 MIN
	1V	13"	As profiled				
	2S	4.5"	11:54	11:55	11:55	2:01	6 MIN
	2V	12.5"	Similar to profile				
	3S	4.0"	11:56	11:57	11:57	11:59	2 MIN
	3V	13"	Less clayey than profile		3.5"±	RAW	Lower than profile
	4S	4.0"	11:52	11:58	11:58	2:02	4 MIN
	4V	12.5"	Similar to #3		clay to 4.0"±		

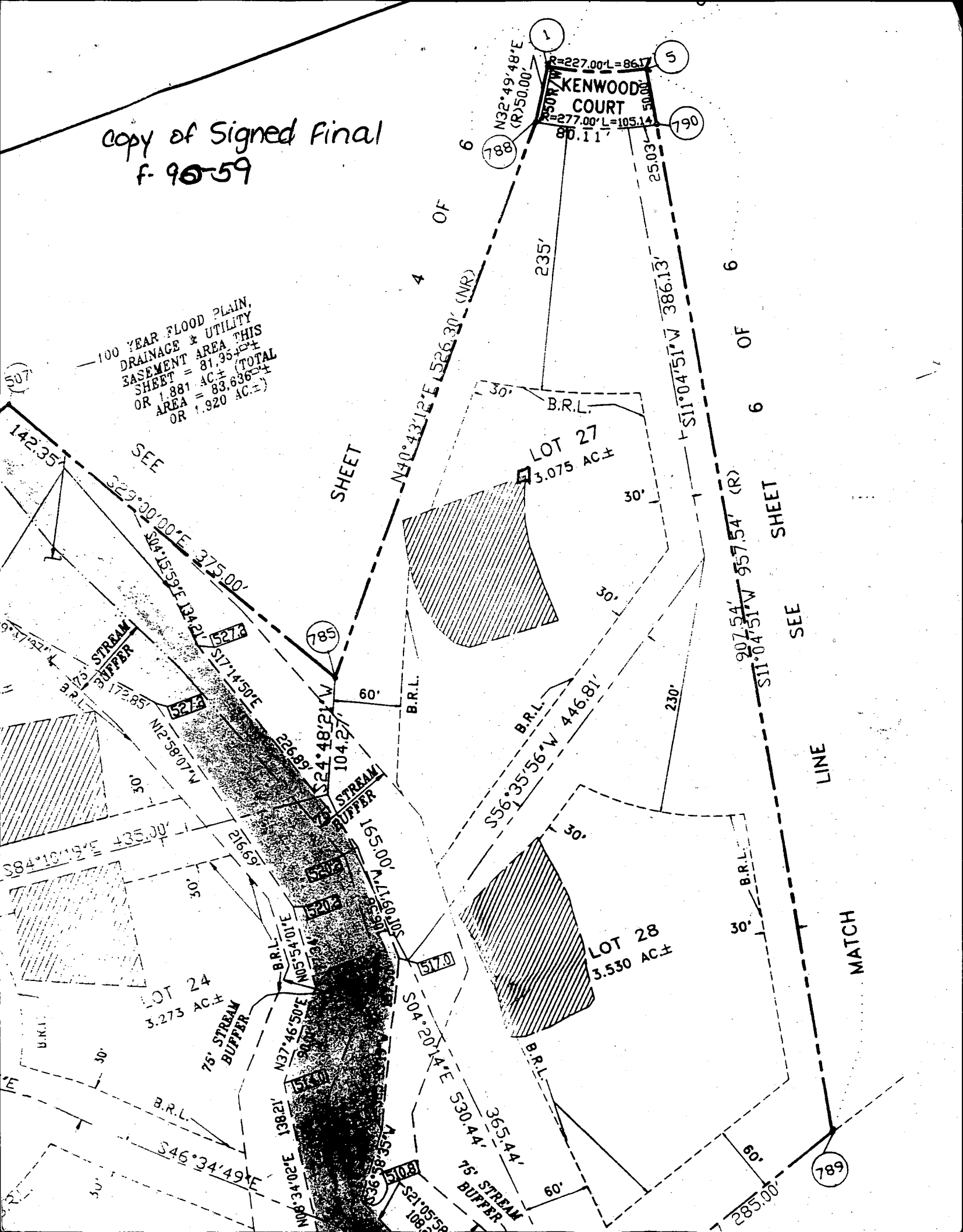
REMARKS Holes NOT PER QUAT

TYPE OF SOIL Chester

TESTED BY S. Abel ALSO PRESENT Paul, Andrews, Del
C. Cisse

copy of Signed Final
F-96-59

100 YEAR FLOOD PLAIN,
DRAINAGE & UTILITY
EASEMENT AREA THIS
SHEET = 81.95 AC±
OR 1.881 AC± (TOTAL
AREA = 83.836 AC±
OR 1.920 AC±)



SEE

SHEET

SHEET

SEE

LINE

MATCH

4 OF

6 OF

6

6

6

6

6

6

6

6

6

6

6

6

6

6

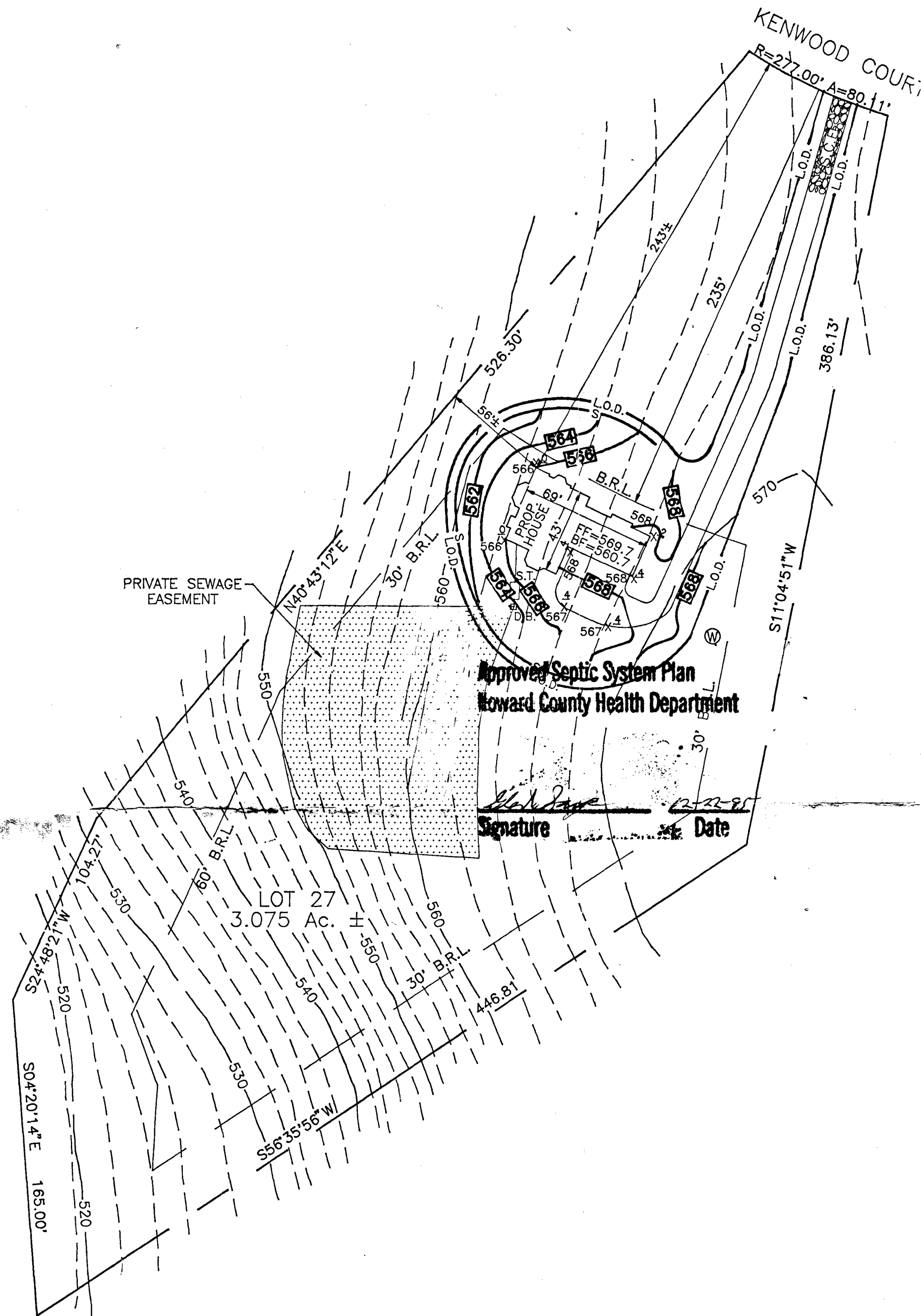
6

6

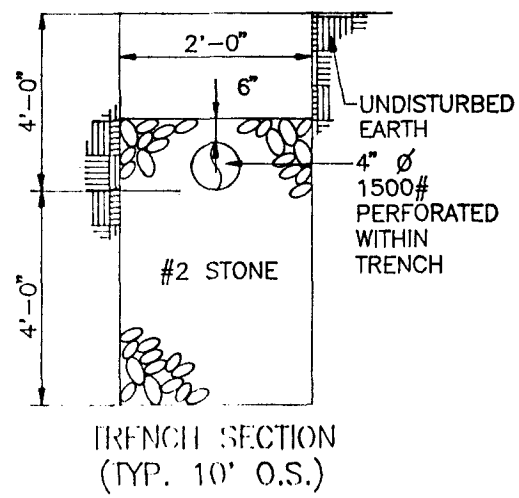
6

4 BEDROOMS = 360 LF OF TRENCH

BASEMENT ELEV.: 560.7
 FIRST FLOOR ELEV.: 569.7
 INV. OUT OF HOUSE: 558.0
 INV. INTO SEPTIC TANK: 557.8
 INV. OUT OF SEPTIC TANK: 558.1
 INVERT INTO DISTRIBUTION BOX: 557.9
 INV. INTO TRENCH: 557.4
 EX GRADE AT SEPTIC TANK: 563.6
 EX GRADE AT DISTRIBUTION BOX: 563.0
 EX GRADE AT TRENCH: 563.0
 ELEV. OF GROUND AT WELL: 571.0
 LENGTH OF TRENCH TO BE DETERMINED



NOTE
 *PERC FIELD & WELL LOCATION ARE FROM HEALTH DEPARTMENT RECORDS.
 *TOPOGRAPHY SHOWN HEREON SUPPLIED BY CLIENT



PREPARED FOR:
 SAM ECKER
 13366 TRIADELPHIA ROAD
 ELLICOTT CITY, MD 21042



Marks & Vogel Associates, Inc.
 Engineers-Surveyors-Planners

SCALE 1"=50'
 DRAWN BY M.D.M.
 CHECKED BY R.H.V.
 DATE DECEMBER, 1995
 W. O. # _____

LEGEND

- 550--- EXISTING CONTOUR
- 550— PROPOSED CONTOUR
- S— SILT FENCE
- L.O.D.— LIMIT OF DISTURBANCE 20' 600 SF

PLOT PLAN
 FOR
 LOT 27
 COUNTRY SPRINGS

TAX MAP #14
 4TH ELECTION DISTRICT

PARCEL 12
 HOWARD COUNTY, MARYLAND

C1 3693

SEQUENCE NO. (DEMV USE ONLY)

STATE OF MARYLAND WELL COMPLETION REPORT

THIS REPORT MUST BE SUBMITTED WITHIN 45 DAYS AFTER WELL IS COMPLETED.

(THIS NUMBER IS TO BE PUNCHED IN COLS. 3-6 ON ALL CARDS)

COUNTY NUMBER A 42479

ST/CO USE ONLY DATE Received

DATE WELL COMPLETED

Depth of Well

PERMIT NO. FROM "PERMIT TO DRILL WELL"

05/1/95

050995

400

H0-94-0444

OWNER Carman Associates last name Kerwood Ct. first name TOWN Glenwood SUBDIVISION Country Springs SECTION LOT 27

WELL LOG

Not required for driven wells

STATE THE KIND OF FORMATIONS PENETRATED, THEIR COLOR, DEPTH, THICKNESS AND IF WATER BEARING

Table with columns: DESCRIPTION (Use additional sheets if needed), FEET (FROM, TO), Check if water bearing. Rows: Sand (0-26), Gray mica rock (26-400).

GROUTING RECORD

WELL HAS BEEN GROUTED (Y/N), TYPE OF GROUTING MATERIAL (CEMENT, BENTONITE CLAY), NO. OF BAGS, NO. OF POUNDS, GALLONS OF WATER, DEPTH OF GROUT SEAL

CASING RECORD

STEEL CONCRETE PLASTIC OTHER, MAIN CASING TYPE, Nominal diameter top (main) casing, Total depth of main casing

OTHER CASING (if used)

diameter inch, depth (feet) from to

SCREEN RECORD

STEEL BRASS BRONZE PLASTIC, OPEN HOLE OTHER, screen type or open hole

IN HARD ROCK AREAS, IDENTIFY SPECIFICALLY WHERE SATURATED FRACTURES WERE OBSERVED.

WELL HYDROFRACTURED (Y/N)

- A A WELL WAS ABANDONED AND SEALED WHEN THIS WELL WAS COMPLETED
E ELECTRIC LOG OBTAINED
P TEST WELL CONVERTED TO PRODUCTION WELL

I HEREBY CERTIFY THAT THIS WELL HAS BEEN CONSTRUCTED IN ACCORDANCE WITH COMAR 26.04.04 "WELL CONSTRUCTION"

DRILLERS IDENT. NO. 24, DRILLERS SIGNATURE Joseph R. Mayne

SITE SUPERVISOR (sign. of driller or journeyman responsible for sitework if different from permittee)

Table with columns: DEPTH (nearest ft.), SLOT SIZE, DIAMETER OF SCREEN. Rows: 1 H0 28 400, 2, 3

GRAVEL PACK IF WELL DRILLED WAS FLOWING WELL INSERT F IN BOX 68

MDE USE ONLY (NOT TO BE FILLED IN BY DRILLER), T (E.R.O.S.), W Q (74 75 76), TELESCOPE CASING, LOG INDICATOR, OTHER DATA

PUMPING TEST: HOURS PUMPED (nearest hour) 6, PUMPING RATE (gal. per min. to nearest gal.) 204, METHOD USED TO MEASURE PUMPING RATE Bucket, WATER LEVEL (distance from land surface) BEFORE PUMPING 39, WHEN PUMPING 359, TYPE OF PUMP USED (for test) S submersible

PUMP INSTALLED: DRILLER WILL INSTALL PUMP YES (NO), TYPE OF PUMP INSTALLED, CAPACITY GALLONS PER MINUTE, PUMP HORSE POWER, PUMP COLUMN LENGTH, CASING HEIGHT (circle appropriate box and enter casing height) above, below, LAND SURFACE 2 (nearest foot)

