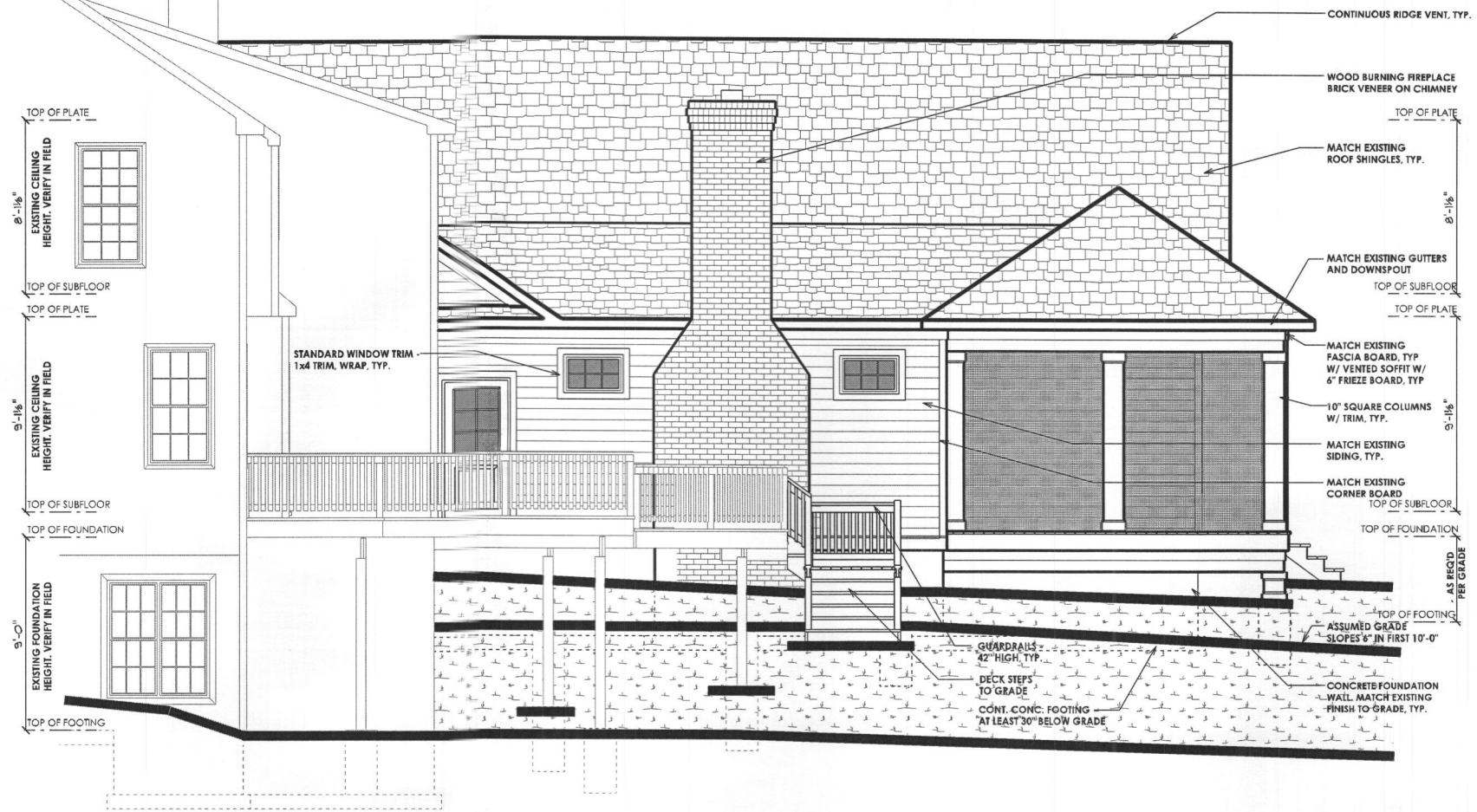
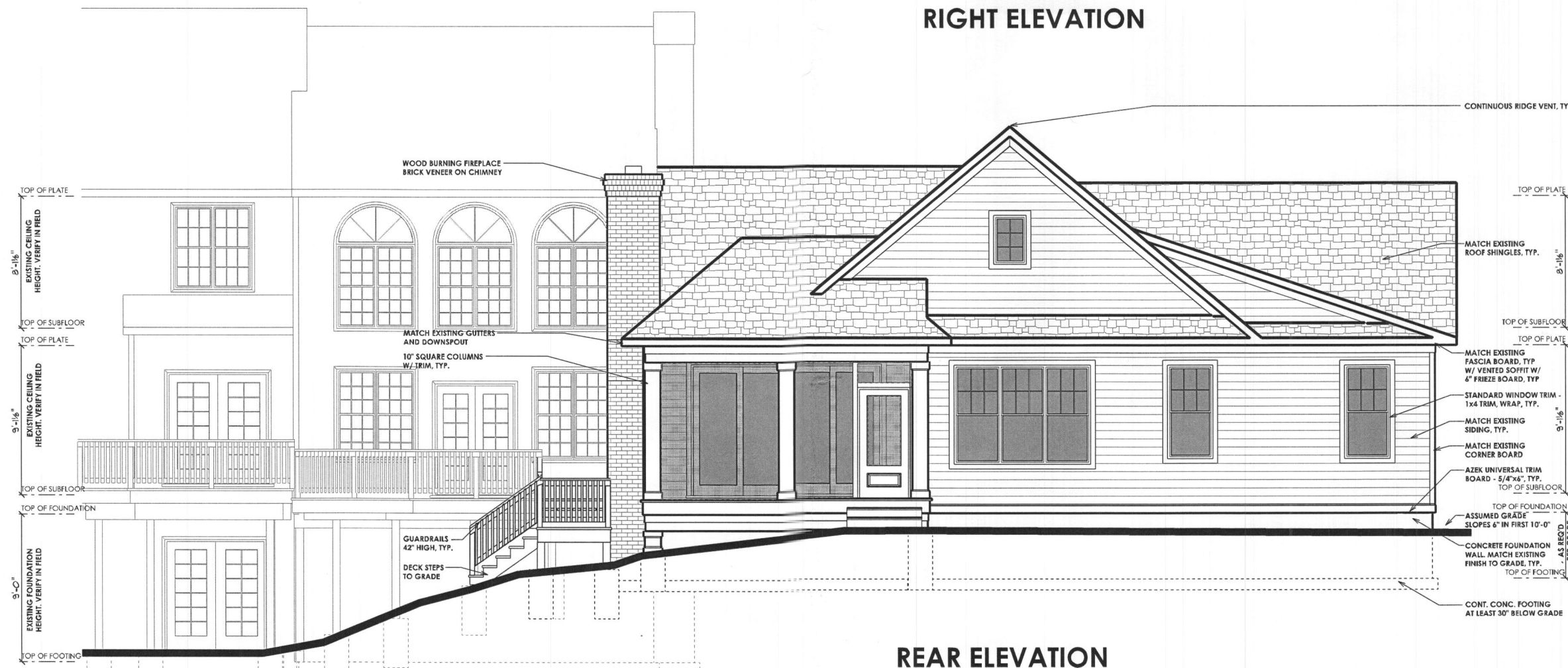


CHIMNEY CAP DETAIL



RIGHT ELEVATION



REAR ELEVATION

PROFESSIONAL CERTIFICATION
 I certify that these documents were prepared or approved by me, and that I am a duly licensed professional architect under the laws of the State of Maryland, License Number #14678, Expiration Date: 6/30/2024

WARNING:
 THIS DOCUMENT IS AN INSTRUMENT OF PROFESSIONAL SERVICE PREPARED BY JONATHAN RIVERA ARCHITECT. ALTERATION OF THIS DOCUMENT BY ANY PARTY OTHER THAN JONATHAN RIVERA ARCHITECT IS A VIOLATION OF LAW THAT WILL BE PROSECUTED TO THE FULLEST EXTENT.
 Copyright © 2009
 Jonathan Rivera Architect
 All Rights Reserved

PROPOSED EXPANSION
HERRERA-FRANKLIN ADDITION

12525 Marlow Road,
 Fulton, Maryland 20759

ARCHITECT
 Jonathan Rivera AIA, NCARB
 Howard County, Maryland

443.226.5745
 jrivera@jonathanrivera.com

BUILDER
 McWhorter Construction
 2900 Daisy Road
 Woodbine, Maryland

(410) 984-5813
 ryan@mcwhorterconstruction.net

STRUCTURAL ENGINEER
 Robert Wyatt PE
 Mid-Atlantic Structural Eng.

717-504-8407
 rwyatt@midatl-se.com

ISSUE DATE

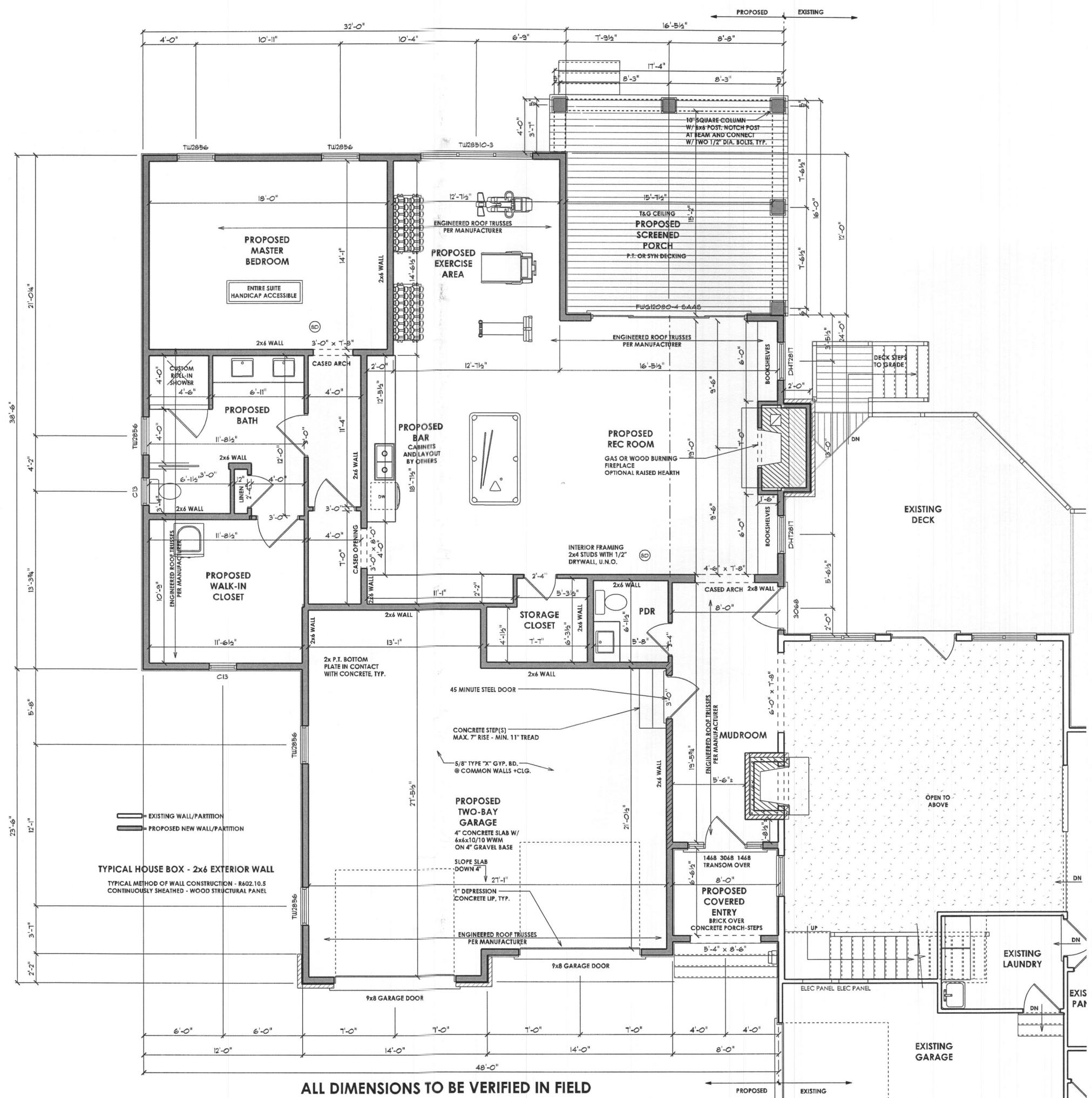
1	9-30-23	PERMIT SET
△		
△		
△		
△		
△		
△		
△		

SCALE: 1/4" = 1'-0"

ELEVATIONS

1.02

PRINT DATE:
 Thursday, September 28, 2023



ALL DIMENSIONS TO BE VERIFIED IN FIELD

PROFESSIONAL CERTIFICATION
 I certify that these documents were prepared or approved by me, and that I am a duly licensed professional architect under the laws of the State of Maryland, License Number #14678, Expiration Date: 6/30/2024

WARNING: THIS DOCUMENT IS AN INSTRUMENT OF PROFESSIONAL SERVICE PREPARED BY JONATHAN RIVERA ARCHITECT. ALLOCATION OF THIS DOCUMENT BY ANY PARTY OTHER THAN JONATHAN RIVERA ARCHITECT IS A VIOLATION OF LAW THAT WILL BE PROSECUTED TO THE FULLEST EXTENT.
 Copyright © 2009 Jonathan Rivera Architect All Rights Reserved

PROPOSED EXPANSION

HERRERA-FRANKLIN ADDITION

12525 Marlow Road, Fulton, Maryland 20759

ARCHITECT
 Jonathan Rivera AIA, NCARB
 Howard County, Maryland

443.226.5745
 jrivera@jonathandriviera.com

BUILDER
 McWhorter Construction
 2900 Daisy Road
 Woodbine, Maryland

(410) 984-5813
 ryan@mcwhorterconstruction.net

STRUCTURAL ENGINEER
 Robert Wyatt PE
 Mid-Atlantic Structural Eng.

717-504-8407
 rwyatt@midatl-se.com

ISSUE DATE

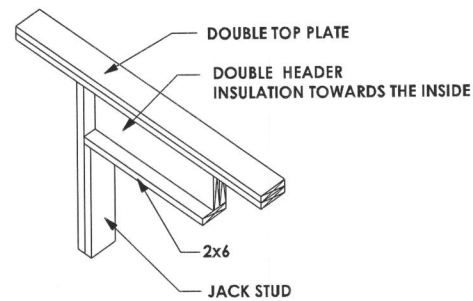
1	9-30-23	PERMIT SET

SCALE: 1/4" = 1'-0"

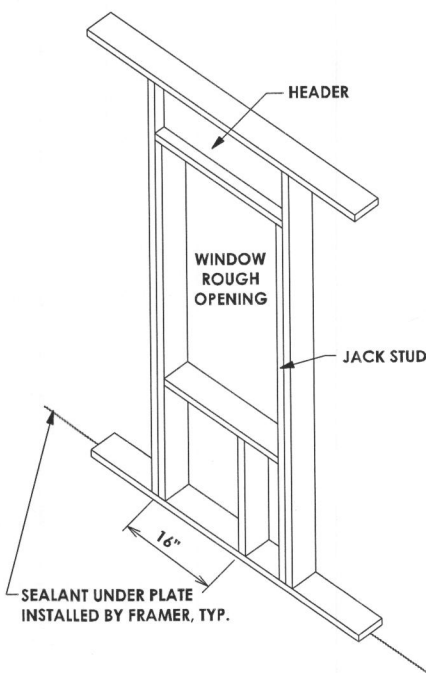
1ST FLOOR

3.01

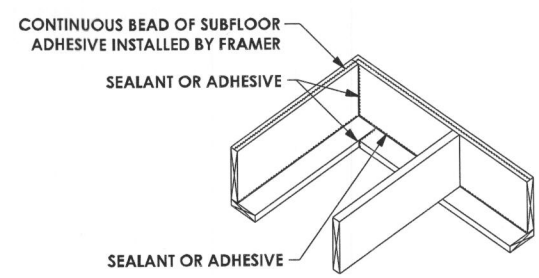
PRINT DATE: Thursday, September 28, 2023



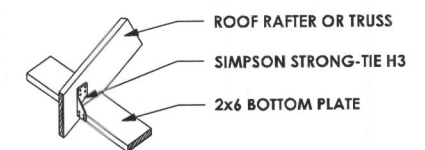
DOUBLE HEADER



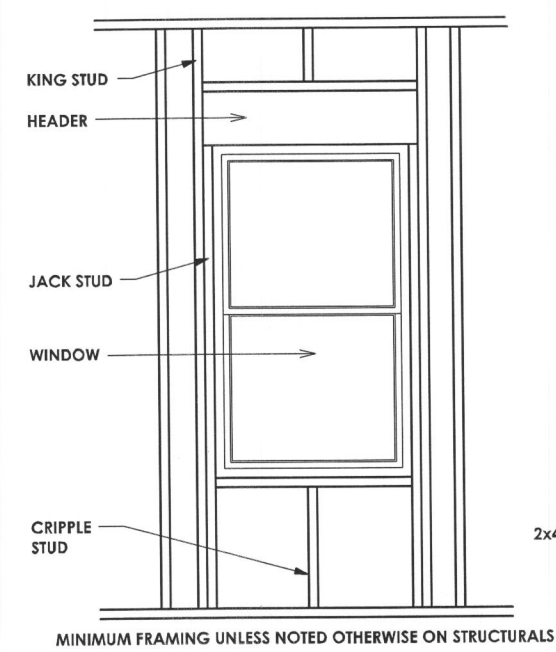
LOAD BEARING WALL OPENING



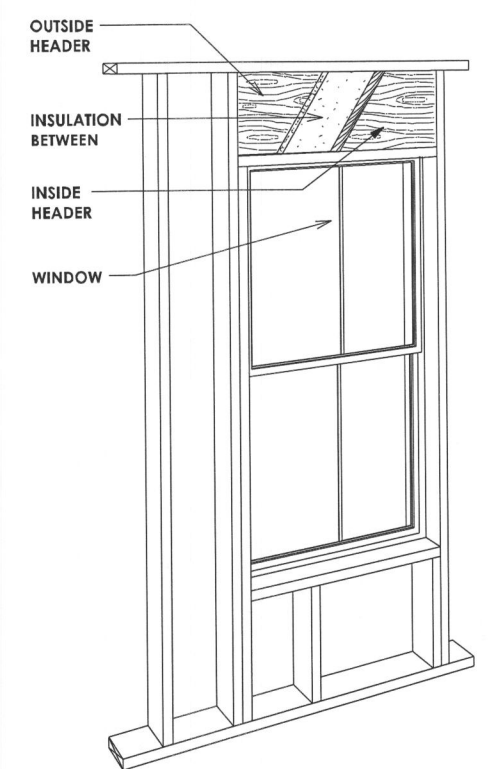
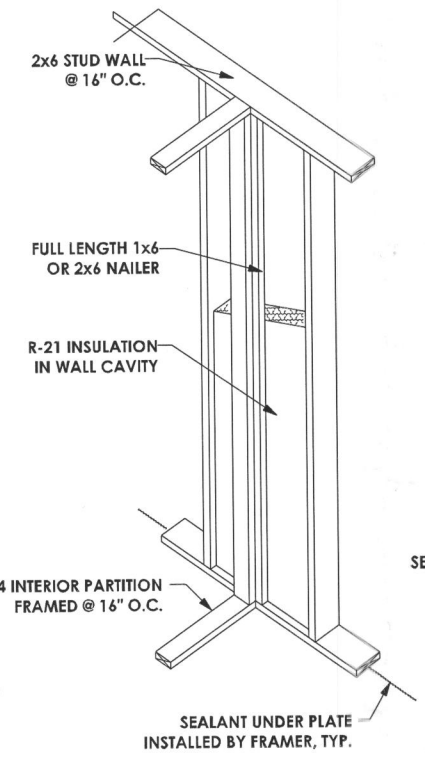
RIM JOIST AIR SEALING



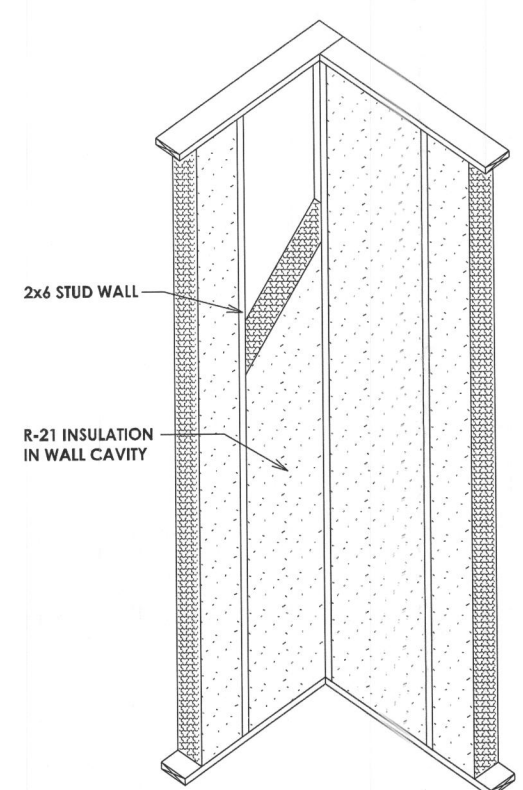
ROOF WALL FRAMING CONNECTION



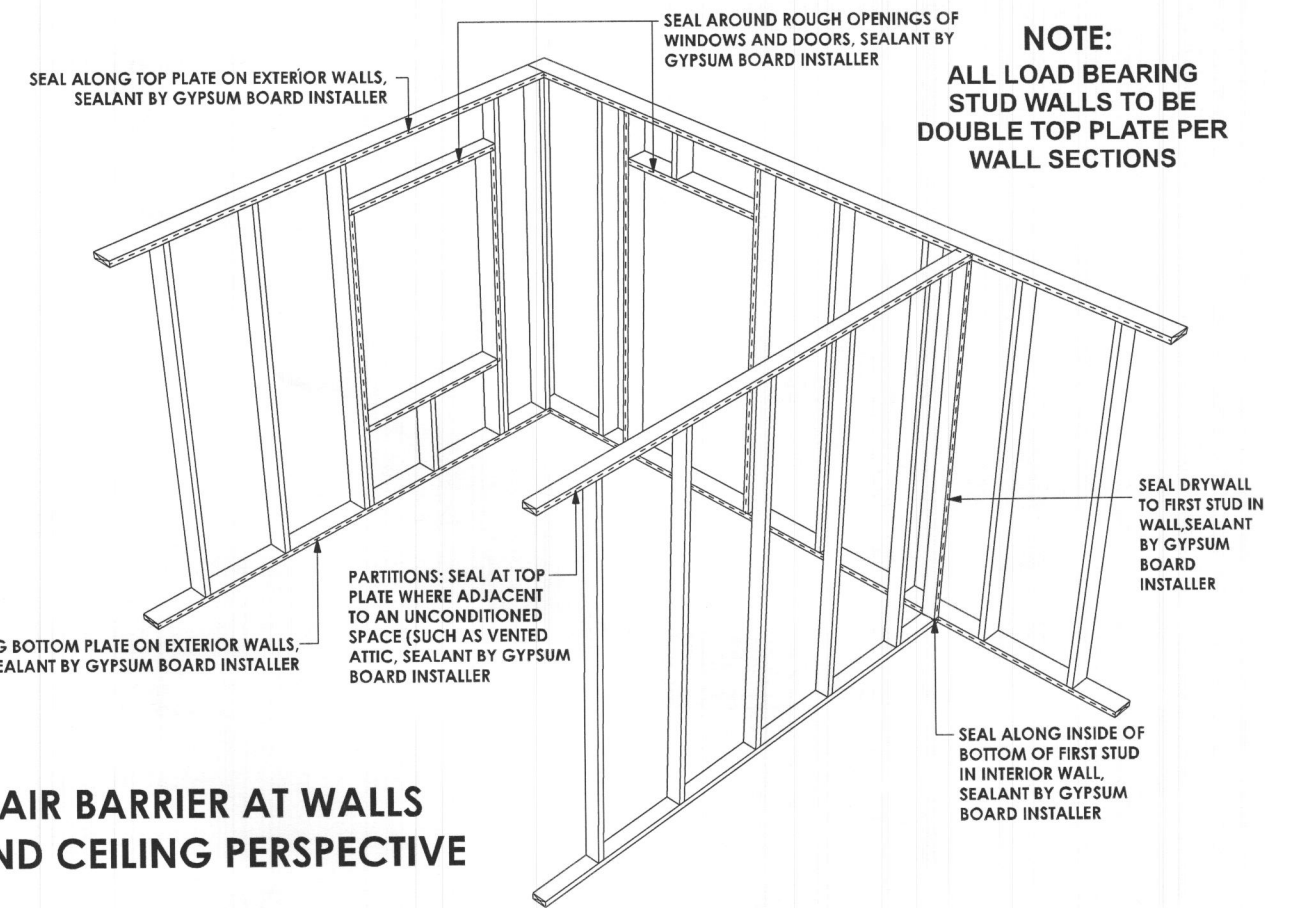
WINDOW FRAMING ELEVATION NAILER @ PARTITION



HEADER INSULATION BETWEEN



TWO-STUD CORNER-INSULATION



AIR BARRIER AT WALLS AND CEILING PERSPECTIVE

NOTE:
ALL LOAD BEARING STUD WALLS TO BE DOUBLE TOP PLATE PER WALL SECTIONS

PROFESSIONAL CERTIFICATION
I certify that these documents were prepared or approved by me, and that I am a duly licensed professional architect under the laws of the State of Maryland.
License Number #1467
Expiration Date: 6/30/2020

WARNING: THIS DOCUMENT IS AN INSTRUMENT OF PROFESSIONAL SERVICE PREPARED BY JONATHAN RIVERA ARCHITECT. ALTERATION OF THIS DOCUMENT BY ANY PARTY OTHER THAN JONATHAN RIVERA ARCHITECT IS A VIOLATION OF LAW AND WILL BE PROSECUTED TO THE FULLEST EXTENT OF THE LAW.
Copyright © 2009
Jonathan Rivera Architect
All Rights Reserved

PROPOSED EXPANSION HERRERA-FRANKLIN ADDITION

12525 Marlow Road, Fullon, Maryland 20759

ARCHITECT
Jonathan Rivera AIA, NC
Howard County, Maryland

443.226.5745
jrivera@jonathanrivera.com

BUILDER
McWhorter Construction
2900 Daisy Road
Woodbine, Maryland
(410) 984-5813
ryan@mcwhorterconstruction.com

STRUCTURAL ENGINEER
Robert Wyatt PE
Mid-Atlantic Structural
717-504-8407
rwyatt@midatl-se.com

ISSUE DATE

1	9-30-23	PER
△		
△		
△		
△		
△		
△		
△		
△		

SCALE: 1/4"

DETAILS

3.0
PRINT DATE:
Thursday, September

PROFESSIONAL CERTIFICATION
I certify that these documents were prepared or approved by me, and that I am a duly licensed professional architect under the laws of the State of Maryland, License Number #14678 Expiration Date: 6/30/2024

WARNING:
THIS DOCUMENT IS AN INSTRUMENT OF PROFESSIONAL SERVICE PREPARED BY JONATHAN RIVERA ARCHITECT. ALTERATION OF THIS DOCUMENT BY ANY PARTY OTHER THAN JONATHAN RIVERA ARCHITECT IS A VIOLATION OF LAW THAT WILL BE PROSECUTED TO THE FULLEST EXTENT.

Copyright © 2009
Jonathan Rivera Architect
All Rights Reserved

PROPOSED EXPANSION

HERRERA-FRANKLIN ADDITION

12525 Marlow Road,
Fulton, Maryland 20759

ARCHITECT
Jonathan Rivera AIA, NCARB
Howard County, Maryland

443.226.5745
jriviera@jonathanrivera.com

BUILDER
McWhorter Construction
2900 Daisy Road
Woodbine, Maryland

(410) 984-5813
ryan@mcwhorterconstruction.net

STRUCTURAL ENGINEER
Robert Wyatt PE
Mid-Atlantic Structural Eng.

717-504-8407
rwyatt@midatl-se.com

ISSUE DATE

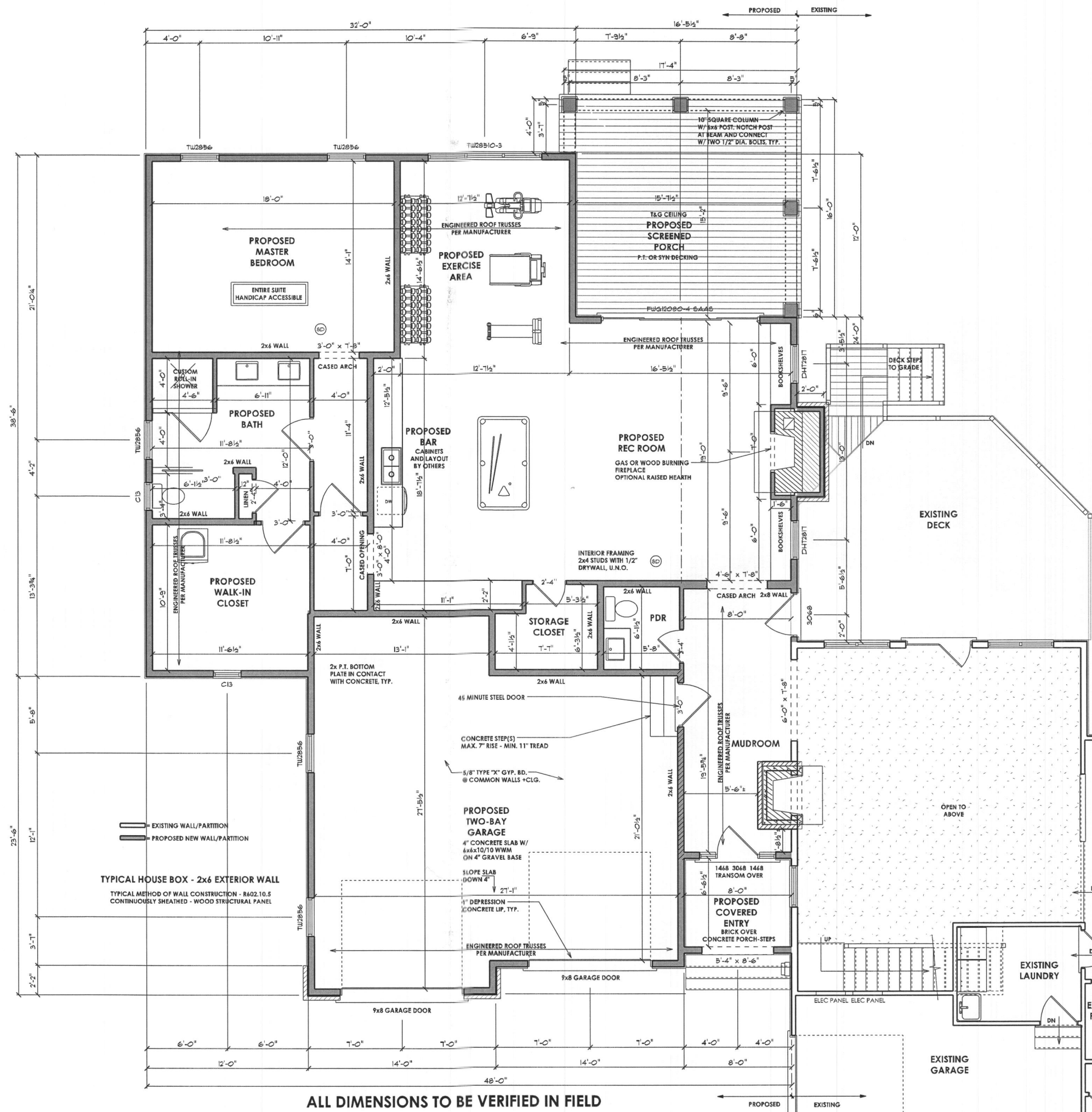
- 1 9-30-23 PERMIT SET
- 2
- 3
- 4
- 5
- 6
- 7
- 8
- 9
- 10

SCALE: 1/4" = 1'-0"

1ST FLOOR

3.01

PRINT DATE:
Thursday, September 28, 2023



TYPICAL HOUSE BOX - 2x6 EXTERIOR WALL
TYPICAL METHOD OF WALL CONSTRUCTION - R402.10.5 CONTINUOUSLY SHEATHED - WOOD STRUCTURAL PANEL

ALL DIMENSIONS TO BE VERIFIED IN FIELD