



FLOOR PLAN



JAMES A. CLANCY, P.E., L.S.  
 MD. PROFESSIONAL ENGINEER (MD. LIC. #31585)  
 601 ASBURY AVENUE  
 NATIONAL PARK, N.J. 08063  
 PH. # 856-853-7306

DATE  
5/5/22

DRAWN  
PIH

SCALE  
1/8" = 1'-0"

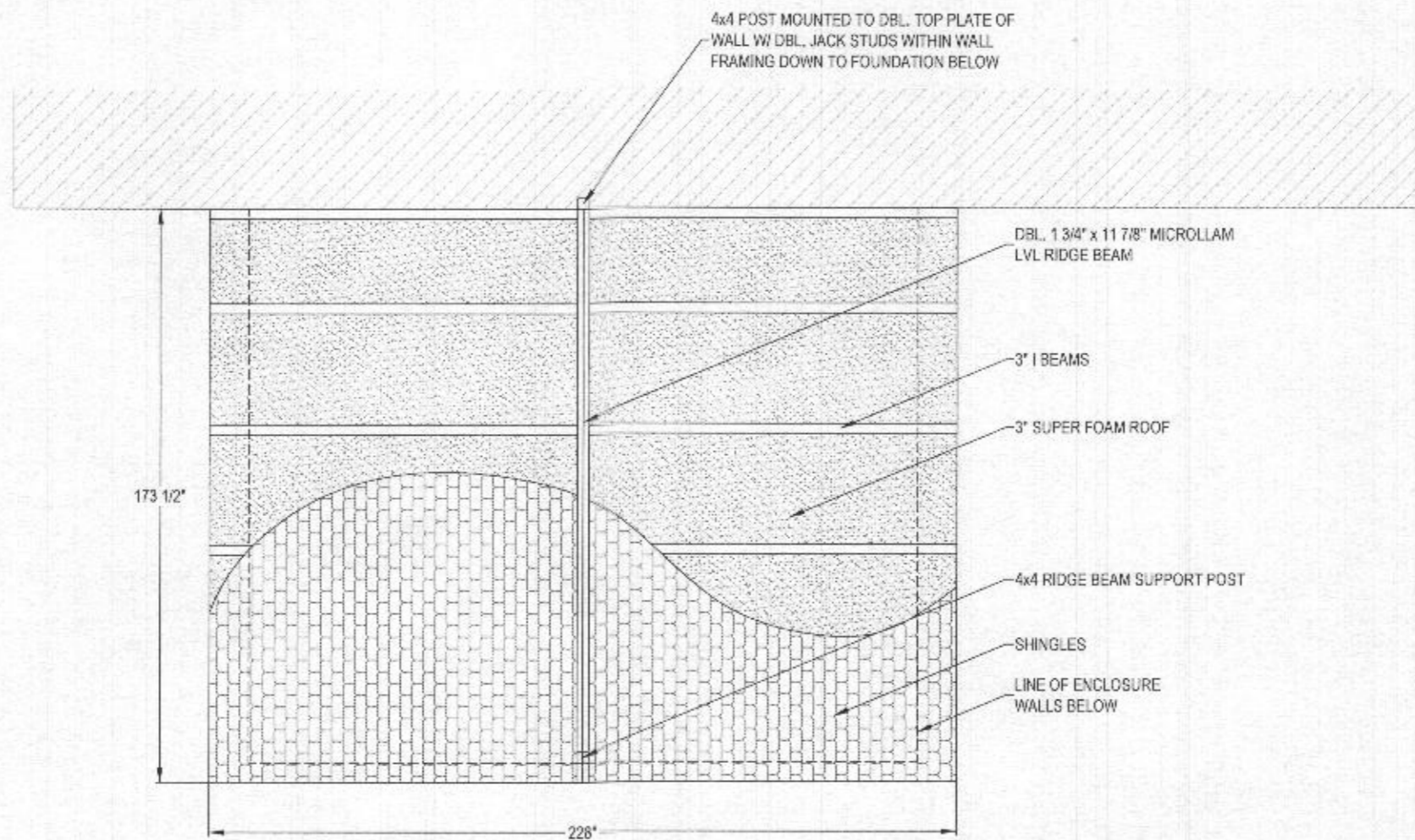
SHEET  
6 OF 10

CATHY & RICHARD BEALL  
 3705 IVORY ROAD  
 GLENELG, MD 21737  
 JOB # 41503

LOCATION  
 GDI - BALTIMORE  
 501 McCORMICK DRIVE, SUITES D-F  
 GLEN BURNIE, MD 21061  
 410-760-1919



THIS DRAWING IS PROPERTY OF GREAT DAY IMPROVEMENTS, L.L.C., AND DUPLICATION OF THIS DRAWING WITHOUT OUR EXPRESSED WRITTEN CONSENT IS PROHIBITED. ALL RIGHTS RESERVED.



ROOF PLAN



JAMES A. CLANCY, P.E., L.S.  
 MD. PROFESSIONAL ENGINEER (MD. LIC. #31585)  
 601 ASBURY AVENUE  
 NATIONAL PARK, N.J. 08063  
 PH. # 856-853-7306

LOCATION  
 GDI - BALTIMORE  
 501 McCORMICK DRIVE, SUITES D-F  
 GLEN BURNIE, MD 21061  
 410-760-1919

CATHY & RICHARD BEALL  
 3705 IVORY ROAD  
 GLENELG, MD 21737  
 JOB # 41503

--	--	--	--

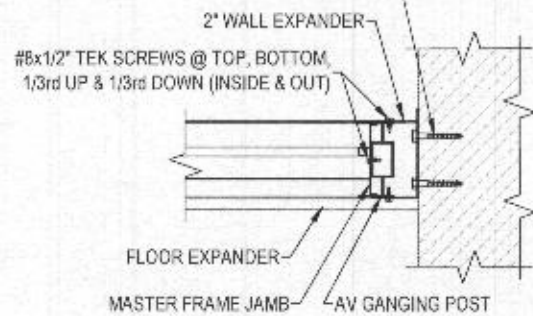
DATE	5/5/22
DRAWN	PIH
SCALE	1/4" = 1'-0"
SHEET	7 OF 10

THIS DRAWING IS PROPERTY OF GREAT DAY IMPROVEMENTS, LLC, AND DUPLICATION OF THIS DRAWING WITHOUT OUR EXPRESSED WRITTEN CONSENT IS PROHIBITED. ALL RIGHTS RESERVED.

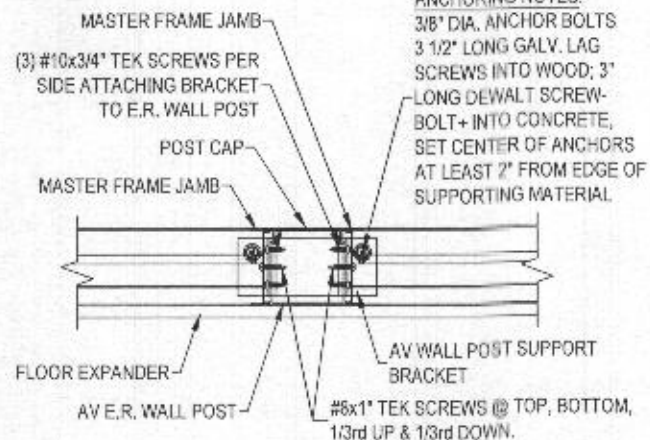


BY GREAT DAY IMPROVEMENTS, LLC

1/4" DIA. GALV. LAG SCREWS STAGGERED @ 16" C/C TO PROVIDE MIN. 1 1/2" THREAD ENGAGEMENT INTO STRUCTURAL FRAMING (ADD BLOCKING AS REQUIRED)

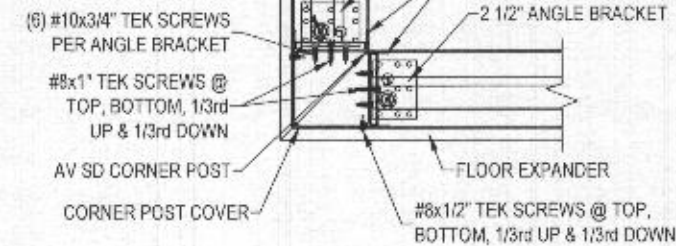


PLAN VIEW OF MASTER FRAME JAMB CONNECTION @ EXISTING WALL

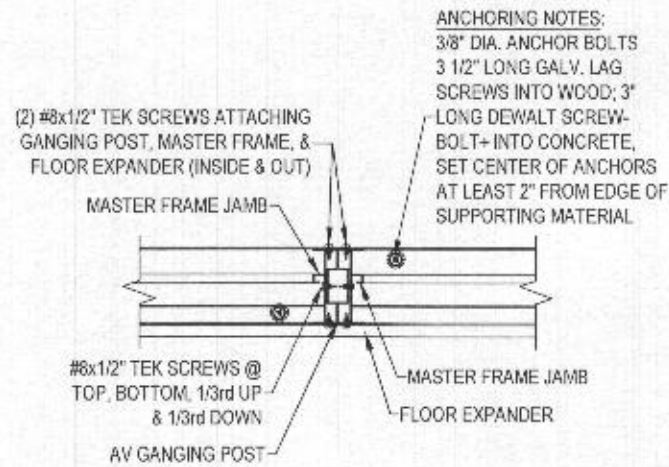


PLAN VIEW OF MASTER FRAME JAMBS CONNECTION @ AV E.R. WALL POST

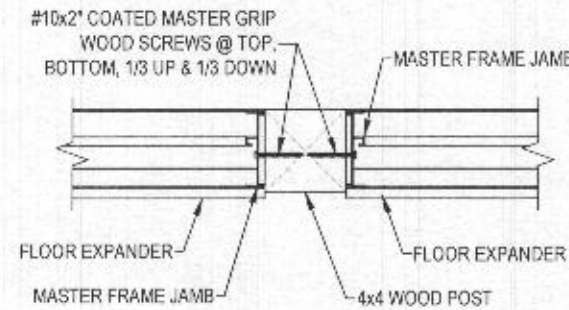
ANCHORING NOTES:  
3/8" DIA. ANCHOR BOLTS  
3 1/2" LONG GALV. LAG SCREWS INTO WOOD; 3" LONG DEWALT SCREW-BOLT+ INTO CONCRETE, SET CENTER OF ANCHORS AT LEAST 2" FROM EDGE OF SUPPORTING MATERIAL



PLAN VIEW OF MASTER FRAME JAMBS CONNECTION @ CORNER POST



PLAN VIEW OF MASTER FRAME JAMBS CONNECTION @ GANGING POST



PLAN VIEW OF MASTER FRAME JAMBS CONNECTION @ 4x4 WOOD POST



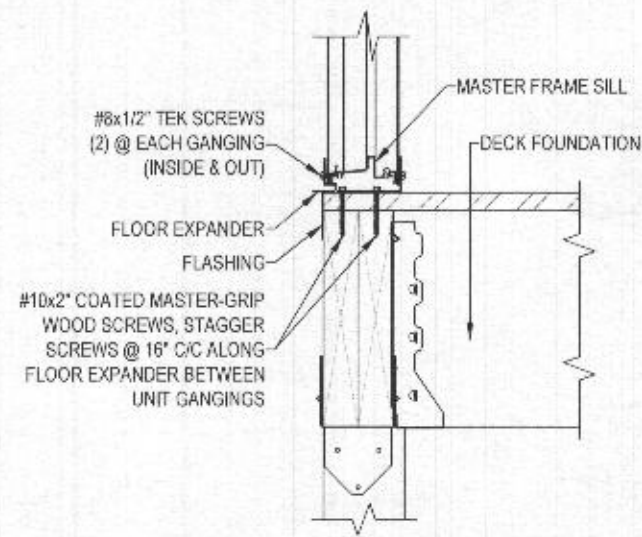
JAMES A. CLANCY, P.E., L.S.  
MD. PROFESSIONAL ENGINEER (MD. LIC. #31585)  
601 ASBURY AVENUE  
NATIONAL PARK, N.J. 08063  
PH. # 856-853-7308

LOCATION  
GDI - BALTIMORE  
501 MCCORMICK DRIVE, SUITES D-F  
GLEN BURNIE, MD 21061  
410-760-1919

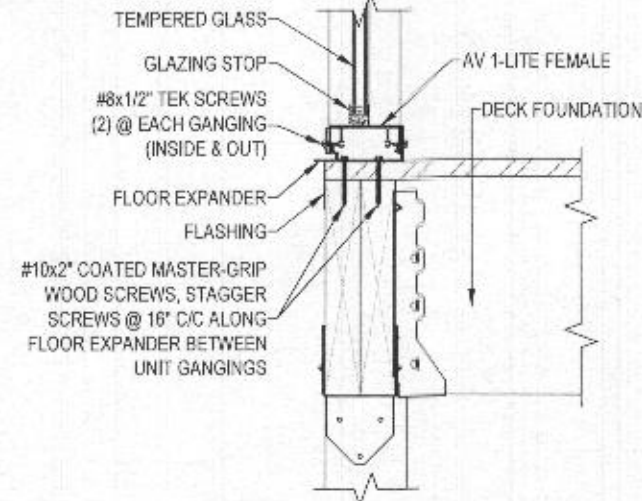
CATHY & RICHARD BEALL  
3705 IVORY ROAD  
GLENELG, MD 21737  
JOB # 41503

DATE 5/5/22  
DRAWN PIH  
SCALE 1 1/2" = 1'-0"  
SHEET 8 OF 10

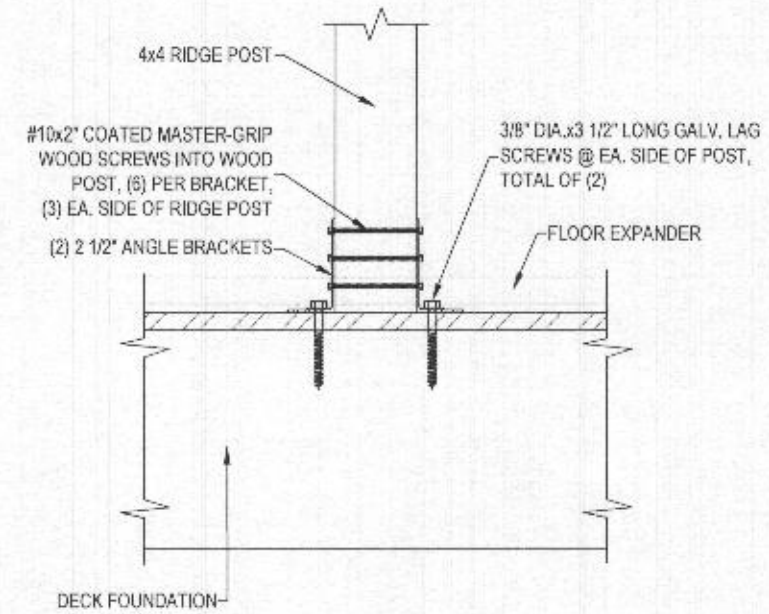
THIS DRAWING IS PROPERTY OF GREAT DAY IMPROVEMENTS, LLC. AND DUPLICATION OF THIS DRAWING WITHOUT OUR EXPRESSED WRITTEN CONSENT IS PROHIBITED. ALL RIGHTS RESERVED.



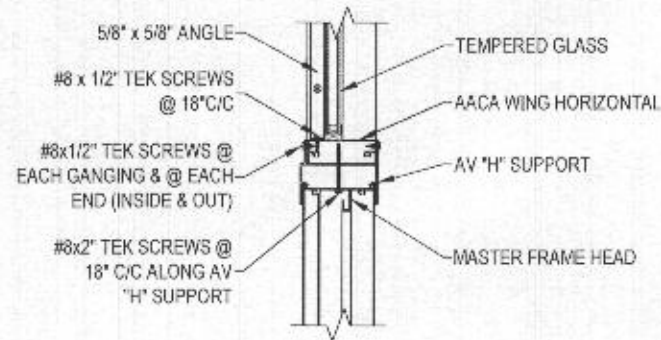
SECTION THROUGH MASTER FRAME SILL CONNECTION @ DECK FOUNDATION



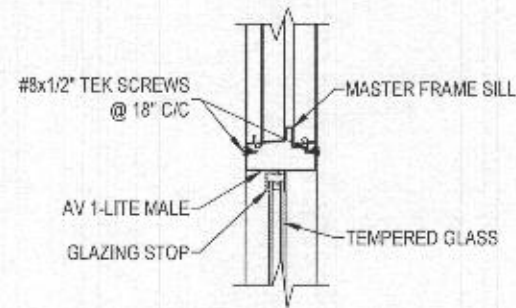
SECTION THROUGH GLASS KNEEWALL CONNECTION @ DECK FOUNDATION



FRONT VIEW THROUGH 4x4 RIDGE POST CONNECTION @ DECK FOUNDATION



SECTION THROUGH "H" & MASTER FRAME HEAD CONNECTION @ GLASS WING



SECTION THROUGH MASTER FRAME SILL CONNECTION @ GLASS KNEEWALL



JAMES A. CLANCY, P.E., L.S.  
 MD. PROFESSIONAL ENGINEER (MD. LIC. #31585)  
 601 ASBURY AVENUE  
 NATIONAL PARK, N.J. 08053  
 PH. # 856-853-7306

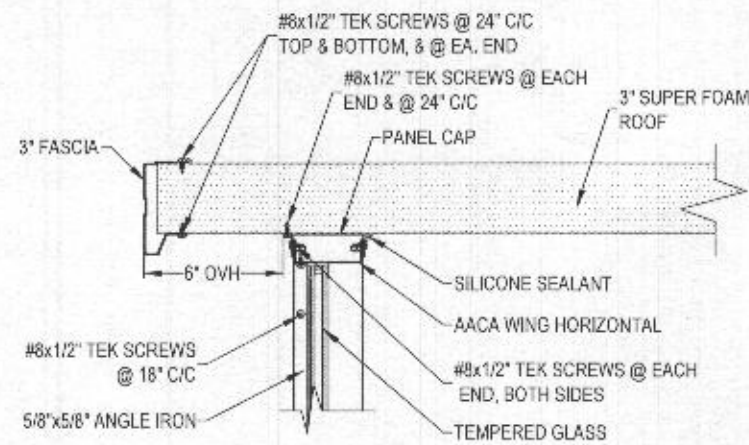
DATE 5/5/22  
 DRAWN PIH  
 SCALE 1 1/2" = 1'-0"  
 SHEET 9 OF 10

LOCATION  
 GDI - BALTIMORE  
 501 MCCORMICK DRIVE, SUITES D-F  
 GLEN BURNIE, MD 21061  
 410-760-1919

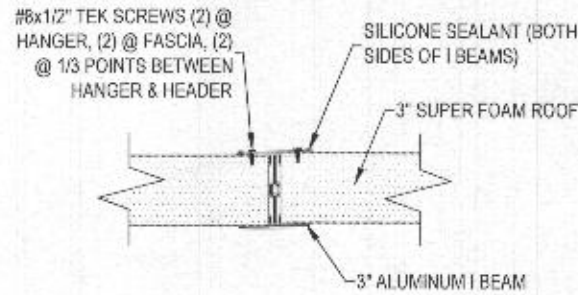
CATHY & RICHARD BEALL  
 3705 IVORY ROAD  
 GLENELG, MD 21737  
 JOB # 41503



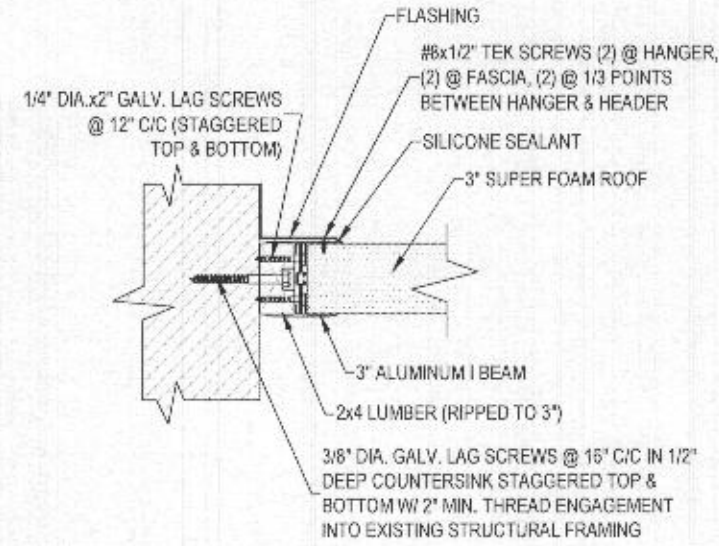
THIS DRAWING IS PROPERTY OF GREAT DAY IMPROVEMENTS, LLC, AND DUPLICATION OF THIS DRAWING WITHOUT OUR EXPRESSED WRITTEN CONSENT IS PROHIBITED. ALL RIGHTS RESERVED.



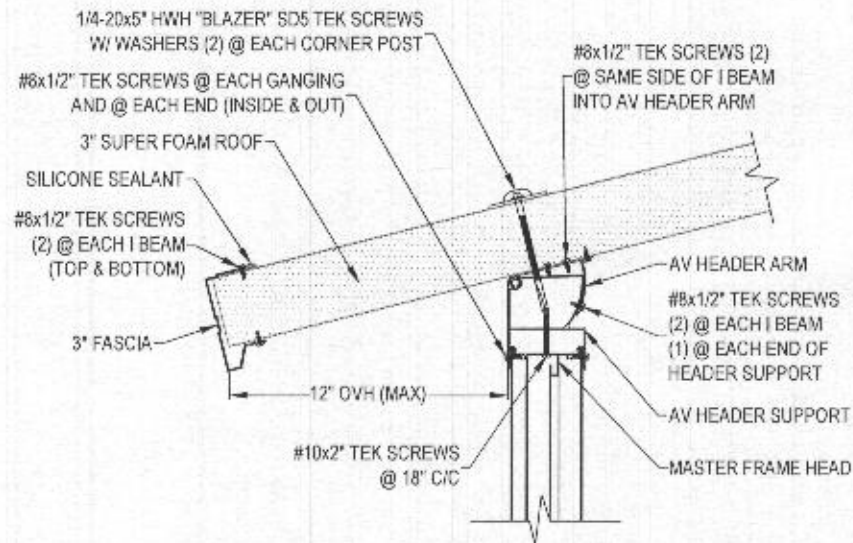
SECTION THROUGH 3" SUPER FOAM ROOF  
PANEL CONNECTION @ GLASS WING



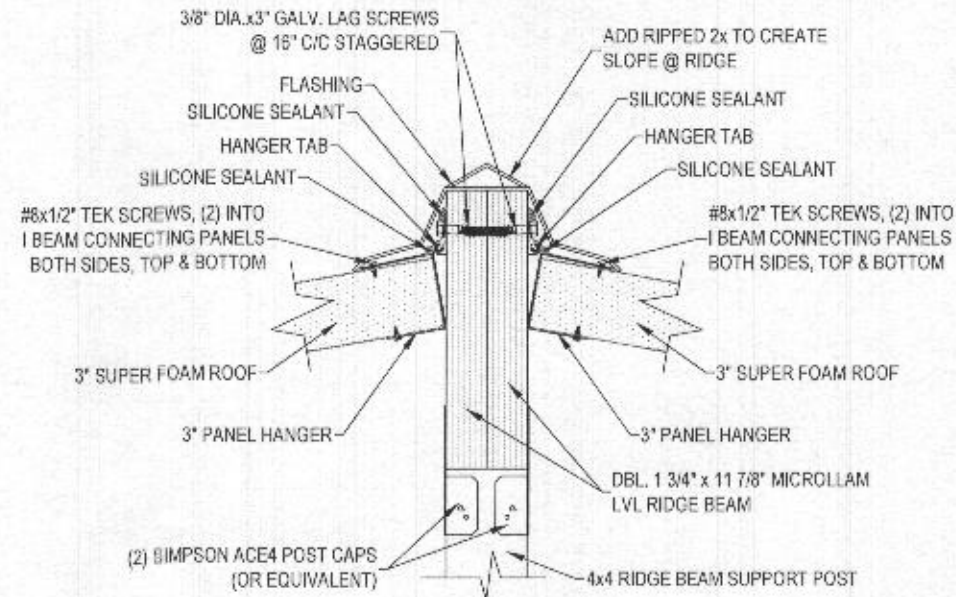
SECTION THROUGH 3" ROOF  
CONNECTION @ I BEAM



3" ROOF PANEL & I BEAM  
CONNECTION @ EXISTING WALL



SECTION THROUGH MASTER FRAME & HEADER  
CONNECTION @ 3" SUPER FOAM ROOF



SECTION THROUGH 3" SUPER FOAM ROOF & PANEL  
HANGER ASSEMBLY CONNECTION @ RIDGE BEAM



JAMES A. CLANCY, P.E., L.S.  
MD. PROFESSIONAL ENGINEER (MD. LIC. #31585)  
601 ASBURY AVENUE  
NATIONAL PARK, NJ, 08063  
PH. # 856-853-7306

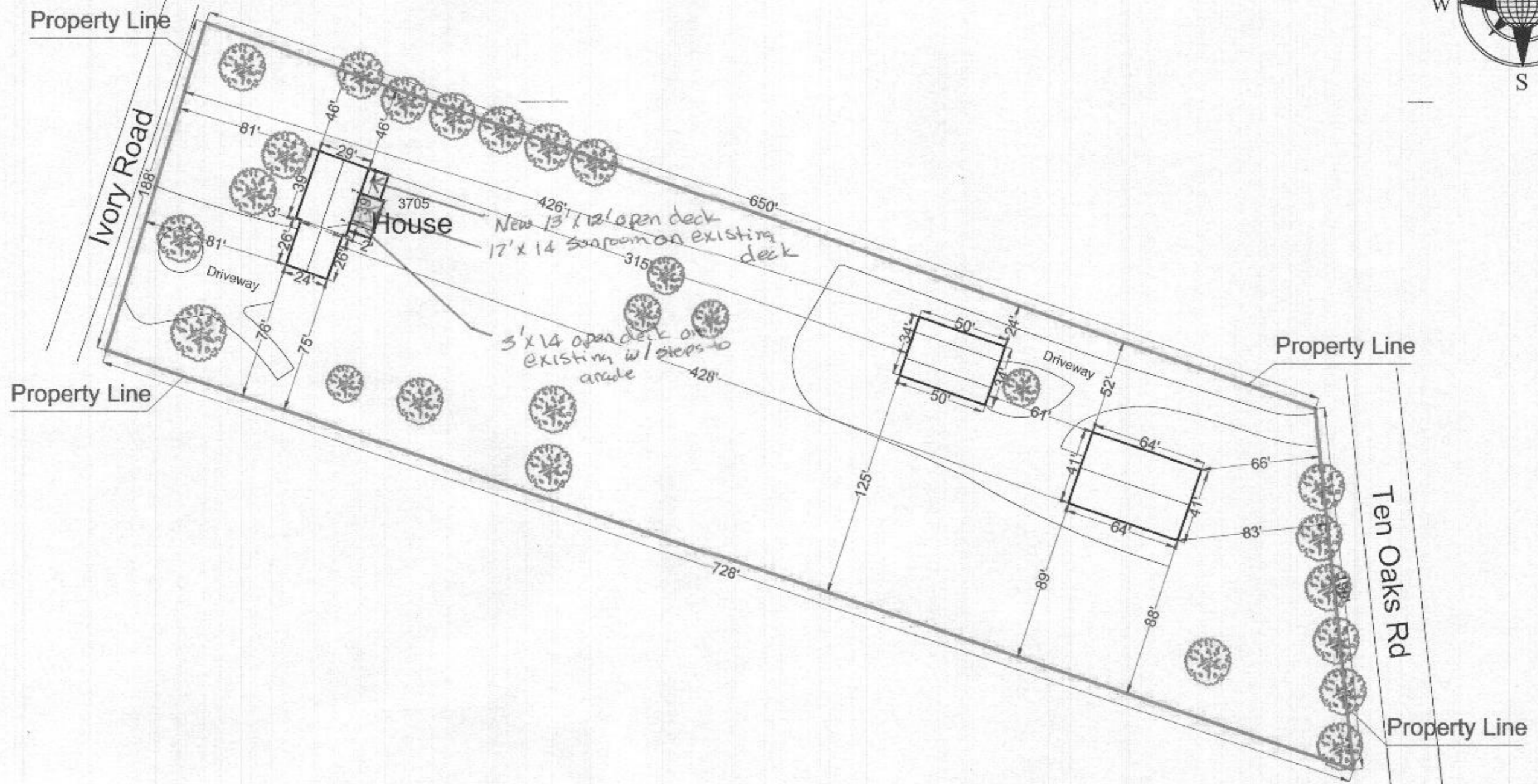
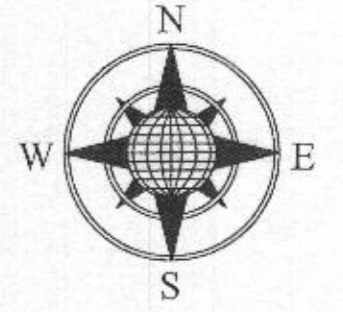
DATE	5/5/22
DRAWN	PIH
SCALE	1 1/2" = 1'-0"
SHEET	10 OF 10

LOCATION  
GDI - BALTIMORE  
501 McCORMICK DRIVE, SUITES D-F  
GLEN BURNIE, MD 21061  
410-760-1919

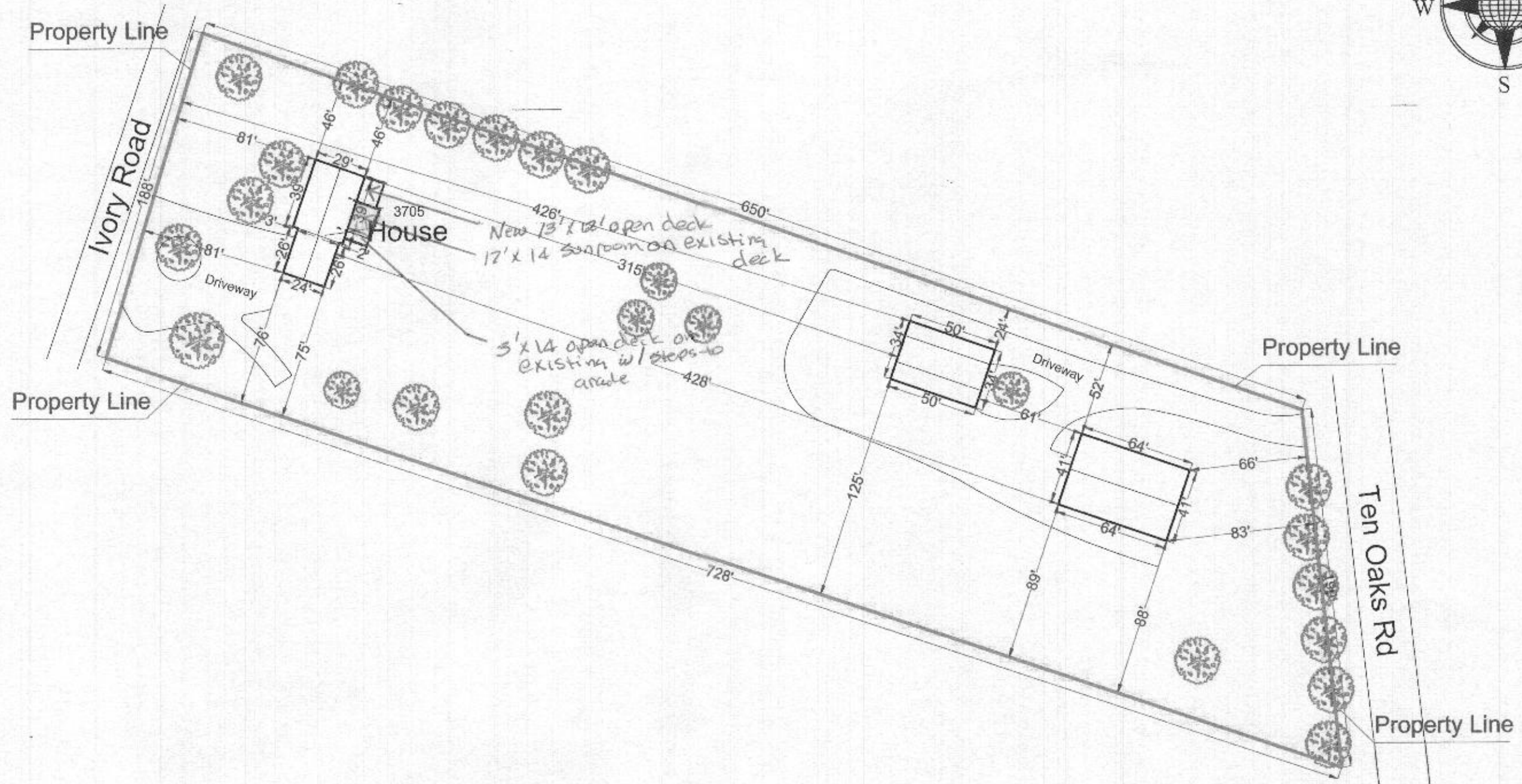
CATHY & RICHARD BEALL  
3705 IVORY ROAD  
GLENELG, MD 21737  
JOB # 41503



THIS DRAWING IS PROPERTY OF GREAT DAY IMPROVEMENTS, LLC., AND DUPLICATION OF THIS DRAWING WITHOUT OUR EXPRESSED WRITTEN CONSENT IS PROHIBITED. ALL RIGHTS RESERVED.



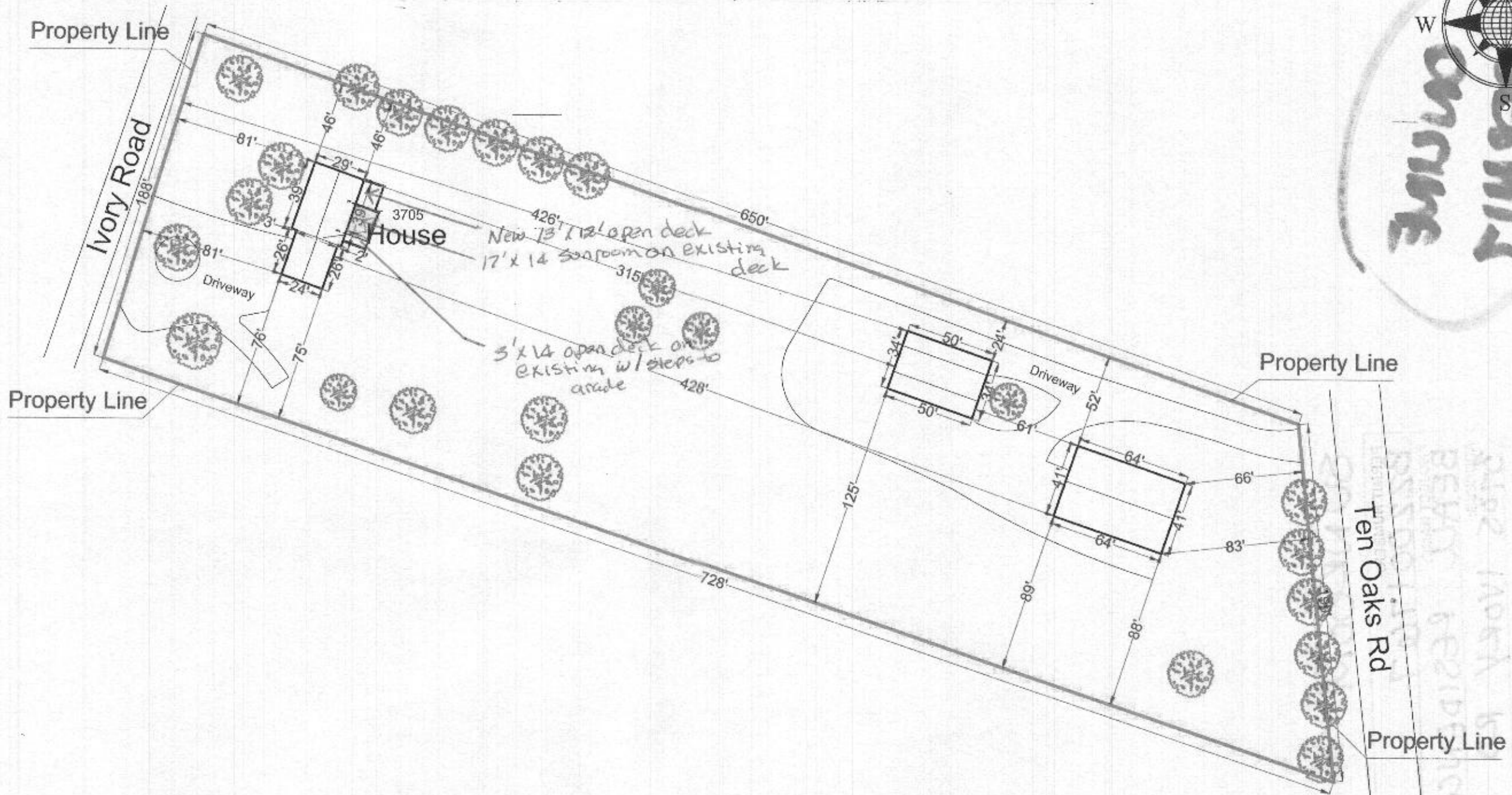
3705 Ivory Road  
Glenelg, MD 21737  
1":60'



3705 Ivory Road  
Glenelg, MD 21737  
1"=60'



MySitePlan.com



3705 Ivory Road  
 Glenelg, MD 21737  
 1"=60'