

PERMIT

SEWAGE DISPOSAL SYSTEM

DEPARTMENT OF HEALTH AND MENTAL HYGIENE

P 59814

A 49485

DISTRICT 4th

DATE 2/9/98

DATE SYSTEM APPROVED 2/13/98

INSPECTOR ALM

HOWARD COUNTY HEALTH DEPARTMENT

BUREAU OF ENVIRONMENTAL HEALTH

~~XXXXXXX~~ 410-313-2640

04-322959

INDEXED

South Carroll Backhoe, Inc.

IS PERMITTED TO INSTALL ALTER

ADDRESS 4410 Salem Bottom Rd, Westminster, Md 21157 PHONE 875-4197

SUBDIVISION Estates of Adella M. Miller LOT 447 ROAD Jenning Chapel Road

PROPERTY OWNER Paul Marshall

ADDRESS _____

SEPTIC TANK CAPACITY 1000 GALLONS

NUMBER OF BEDROOMS 3

180 SQUARE FEET PER BEDROOM

LINEAR FEET OF TRENCH REQUIRED 108

TRENCHES - Trench to be 2 feet wide. Inlet 3 feet below original grade. Bottom maximum depth 8 feet below original grade. Effective area begins at 3 feet below original grade. 5 feet of stone below distribution pipe.

LOCATION - Beginning from the intersection of the 150.00' and 261.51' lot line, begin trenches 140 feet up the 261.51' lot line and 45 feet off that same lot line.

NOTES - Run trenches on contour toward the 288.27' lot line.
- No trench to exceed 100 feet in length. Provide 6" - 8" diameter cleanout and cap to grade or above on septic tank.

OK KM 7-11-97

PLANS APPROVED BY K. Maiste REVISED _____ DATE 07/09/97

COVER NO WORK UNTIL INSPECTED AND APPROVED

NEITHER THE HOWARD COUNTY COUNCIL NOR THE HEALTH DEPARTMENT IS RESPONSIBLE FOR THE SUCCESSFUL OPERATION OF ANY SYSTEM

NOTE: CLEANOUT REQUIRED EVERY 70 FEET OF SEWER LINE AND/OR AT 90° SWEEPS IN LINES FROM HOUSE TO DRAIN FIELDS, 90° ELBOWS NOT ACCEPTABLE.

NOTE: ALL PARTS OF SEPTIC SYSTEMS (I.E. TANK, DISTRIBUTION BOX TRENCHES) TO BE 100 FEET FROM WELL (UNLESS OTHERWISE SPECIFICALLY AUTHORIZED)

NOTE: IF DEEP TRENCH(ES) ARE USED CALL FOR INSPECTION BEFORE AND AFTER PLACING GRAVEL IN TRENCH(ES)

NOTE: NO DRY WELL SHALL EXCEED 15 FOOT IN DIAMETER NO ABSORPTION TRENCH TO EXCEED 100 FEET IN LENGTH

NOTE: ALL PIPE FROM HOUSE TO SEPTIC TANK MUST BE CAST IRON OR SCHEDULE 35/40 PVC OR ABS

PERMIT VOID AFTER TWO YEARS

NOTE: INSTALL STAND PIPE ON SEPTIC TANK AND DRY WELL STAND PIPES MUST BE 6 INCHES IN DIAMETER CAST IRON, CONCRETE OR TERRA COTTA OR PVA OR ABS ACCEPTED. IF TOP OF SEPTIC TANK IS DEEPER THAN 3 FEET, MANHOLE TO GRADE REQUIRED.

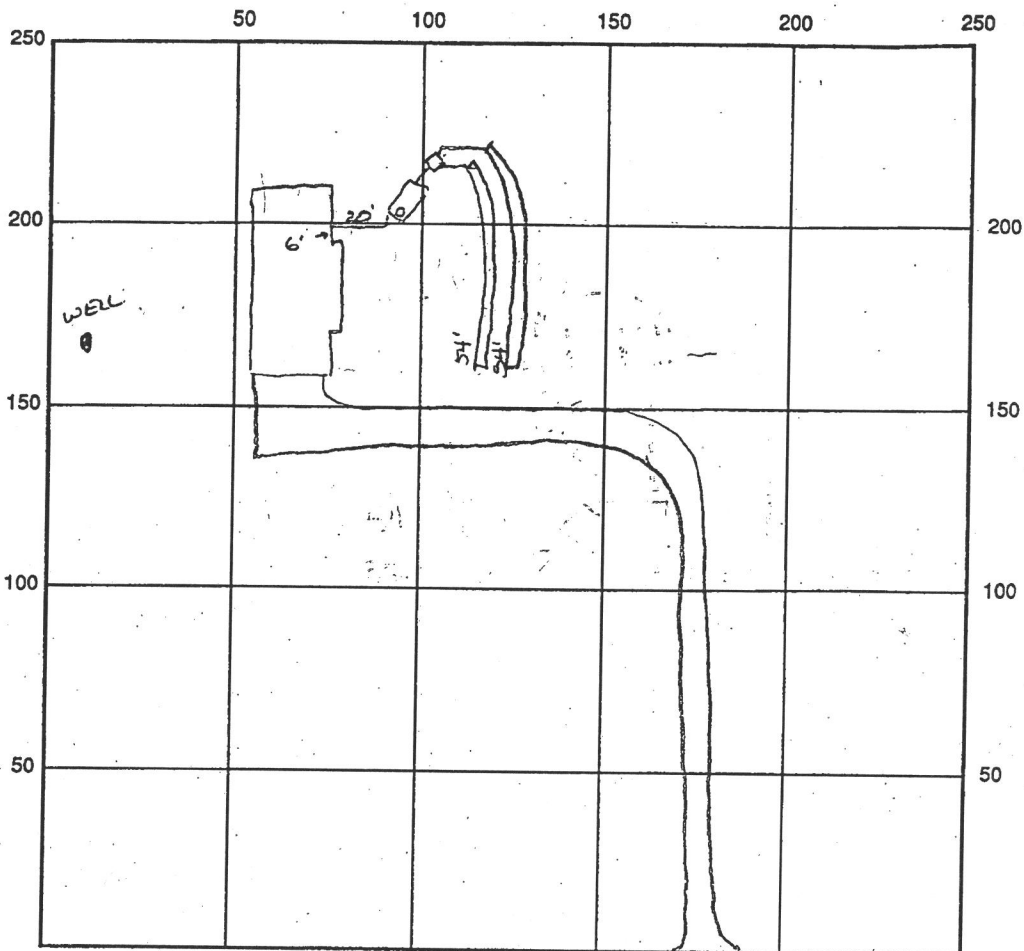
NOTE: DISTRIBUTION BOXES MUST HAVE BAFFLES

***INSTALLER IS RESPONSIBLE FOR OBTAINING FINAL APPROVAL ON THIS PERMIT**

***CALL 461-9933 FOR INSPECTION OF SEPTIC SYSTEM.**

A
49485

GO
2/12/98
11-2:30



INDICATE NORTH - NAME ADJOINING ROADWAY AS BASE LINE

SEPTIC TANK LEVEL OK - 1000 gal. CLEANOUTS OK

DISTRIBUTION BOX LEVEL OK baffle in

DRAIN FIELD/TITLE DEPTH 8.0 FT. TRENCH WIDTH 2.0 FT. INLET DEPTH 3.0 FT.

EFFECTIVE GRAVEL DEPTH 5.0 FT. TOTAL LENGTH 108 FT.

NUMBER OF TRENCHES 2 ONE SIDEWALL/BOTTOM AREA 540 SQ. FT. $\frac{108 \times 5}{1}$

DRYWALL INSIDE DIAMETER — FT. EFFECTIVE DEPTH BELOW INLET — FT.

ABSORBENT AREA — SQ. FT.

REMARKS: 2/13/98 OK to cover all work final ALM

DATE SYSTEM APPROVED 2/13/98 INSPECTOR A McMillen