

PUB. SEWER STATUS VERIFIED BY _____

logged in

ISSUE DATE: 05/10/07

P 526693

APPROVAL DATE: *1-25* 6/7/07 *KW* 6/7/07 *KW*

PERMIT

A REPAIR A13070

Tax ID # 03-282961

ON-SITE SEWAGE DISPOSAL SYSTEM HOWARD COUNTY HEALTH DEPARTMENT BUREAU OF ENVIRONMENTAL HEALTH

Fogles Septic Clean, Inc IS PERMITTED TO INSTALL ALTER

ADDRESS: 580 Obrecht Road, Sykesville PHONE NUMBER: 410-795-5670

SUBDIVISION: Woodmark III LOT NUMBER: 54, Block E

ADDRESS: 12220 Ioka Court PROPERTY OWNER: Timothy Siebes

SEPTIC TANK CAPACITY (GALLONS): _____

PUMP CHAMBER CAPACITY (GALLONS): _____

NUMBER OF BEDROOMS: 4

SQUARE FEET PER BEDROOM: _____

LINEAR FEET OF TRENCH REQUIRED: 81'

*Trenches 2' Wide
Inlet 4'
Bottom 10'
6' of Stone Below Pipe
3 - 27' Trenches or*

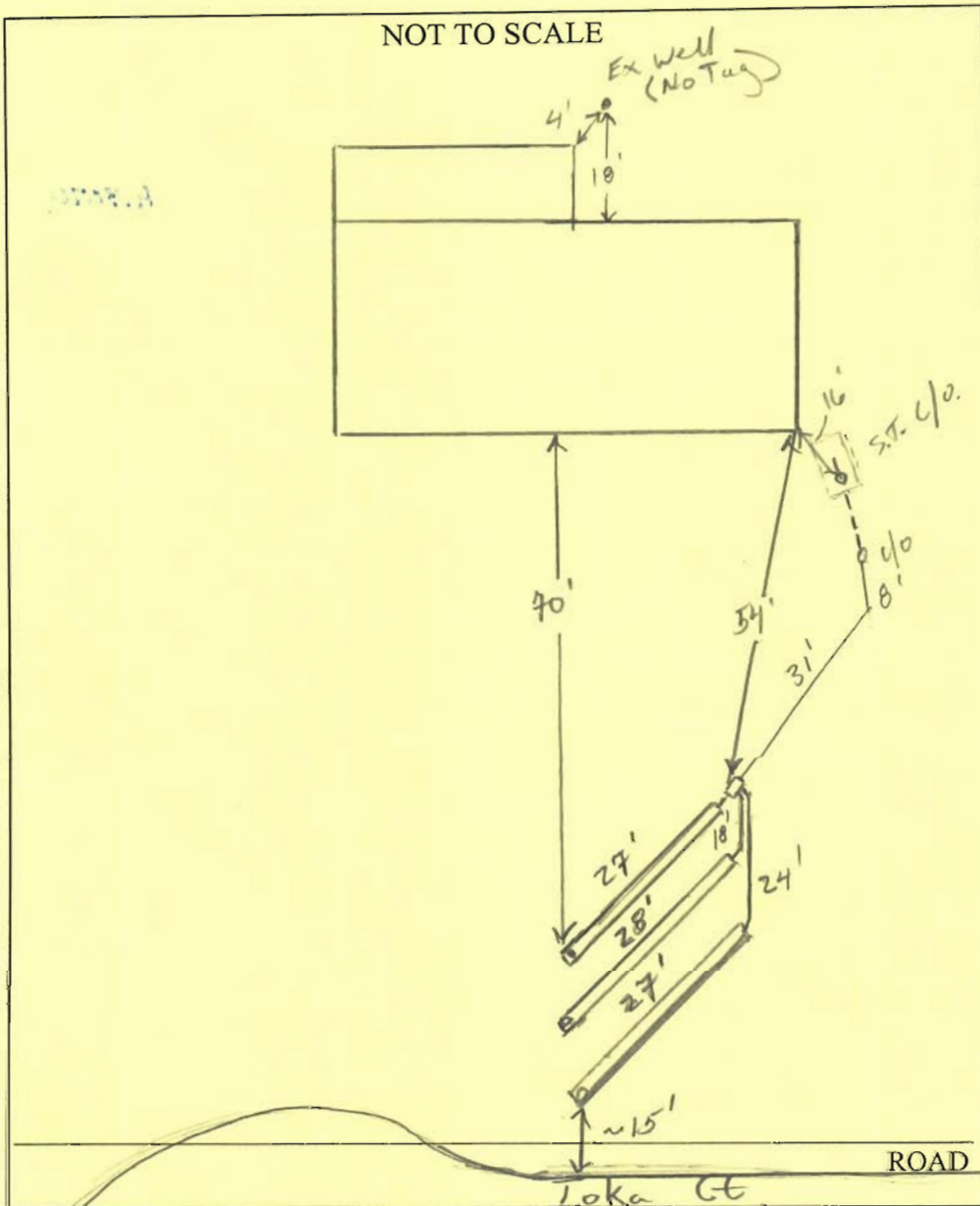
TRENCHES:	Trench to be _____ feet wide. Inlet _____ feet below original grade. Bottom maximum depth _____ feet below original grade. Effective area begins at _____ feet below original grade. _____ feet of stone below distribution pipe.
LOCATION:	<i>Keep Trenches 100' From Well Pump Out and Fill In Drywell</i>
PURPOSE:	Existing septic system has failed. Call for inspection when ground is opened so sanitarian can recommend repair.

2-40' Trenches

PLANS APPROVED: B. Baker DATE: 5/23/07

- NOTE: PERMIT VOID AFTER 2 YEARS
- NOTE: CONTRACTOR RESPONSIBLE FOR SCHEDULING A PRE-CONSTRUCTION INSPECTION FOR ALL INSTALLATIONS
- NOTE: WATERTIGHT SEPTIC TANKS REQUIRED
- NOTE: ALL PARTS OF SEPTIC SYSTEM SHALL BE 100 FEET FROM ANY WATER WELL
- NOTE: MANHOLE RISERS REQUIRED ON ALL SEPTIC TANKS AND PUMP CHAMBERS

NEITHER THE HOWARD COUNTY COUNCIL OR THE HEALTH DEPARTMENT IS RESPONSIBLE FOR THE SUCCESSFUL OPERATION OF ANY SYSTEM PERMITTEE RESPONSIBLE FOR OBTAINING FINAL APPROVAL ON THIS PERMIT CALL 410-313-2640 FOR INSPECTION OF SEPTIC SYSTEM



TRENCH/DRAINFIELD DATA		
WIDTH	INLET	BOTTOM
3'	5'	10'
NUMBER OF TRENCHES		3
TOTAL LENGTH		82'
ABSORPTION AREA		246 + SW
DISTRIBUTION BOX LEVEL		Yes
DISTRIBUTION BOX BAFFLE		Yes
DISTRIBUTION BOX PORT		No

SEPTIC TANK DATA	
SEPTIC TANK 1 LEVEL	_____
CAPACITY	_____ GAL
SEAM LOC	_____
TANK LID DEPTH	_____
BAFFLES	_____
BAFFLE FILTER	_____
MANHOLE LOC	_____
6" PORT LOC	_____
WATERTIGHT TEST	_____
SEPTIC TANK 2 LEVEL	_____
CAPACITY	_____ GAL
SEAM LOC	_____
TANK LID DEPTH	_____
BAFFLES	_____
BAFFLE FILTER	_____
MANHOLE LOC	_____
6" PORT LOC	_____
WATERTIGHT TEST	_____

PRE-CONSTRUCTION _____

6/7/07 Contractor could not make inlet depth of 5' due to invert of ex pipe from S.T. Inlet changed to 6'. Trench now to be 6'-10' w/ 3' wide. No trenches dug. (KW) 6/7/07 (pm) Top 2 trenches complete. Bottom trench almost complete. OK to back fill when finished. (KW)

FINAL INSPECTOR _____

K. Wolf

DATE OF APPROVAL _____

6/7/07